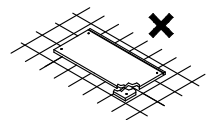
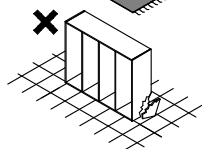
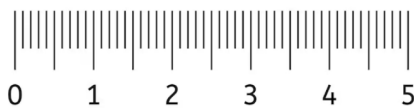
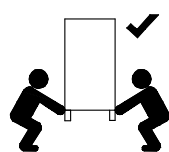
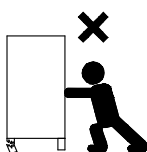
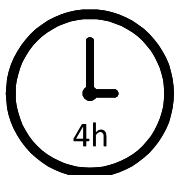
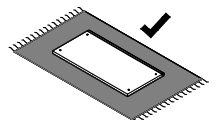
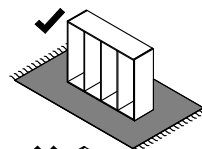
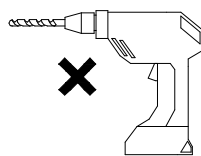
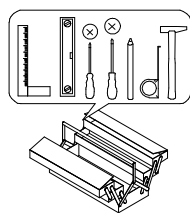
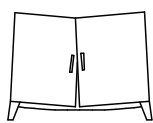
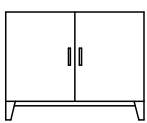
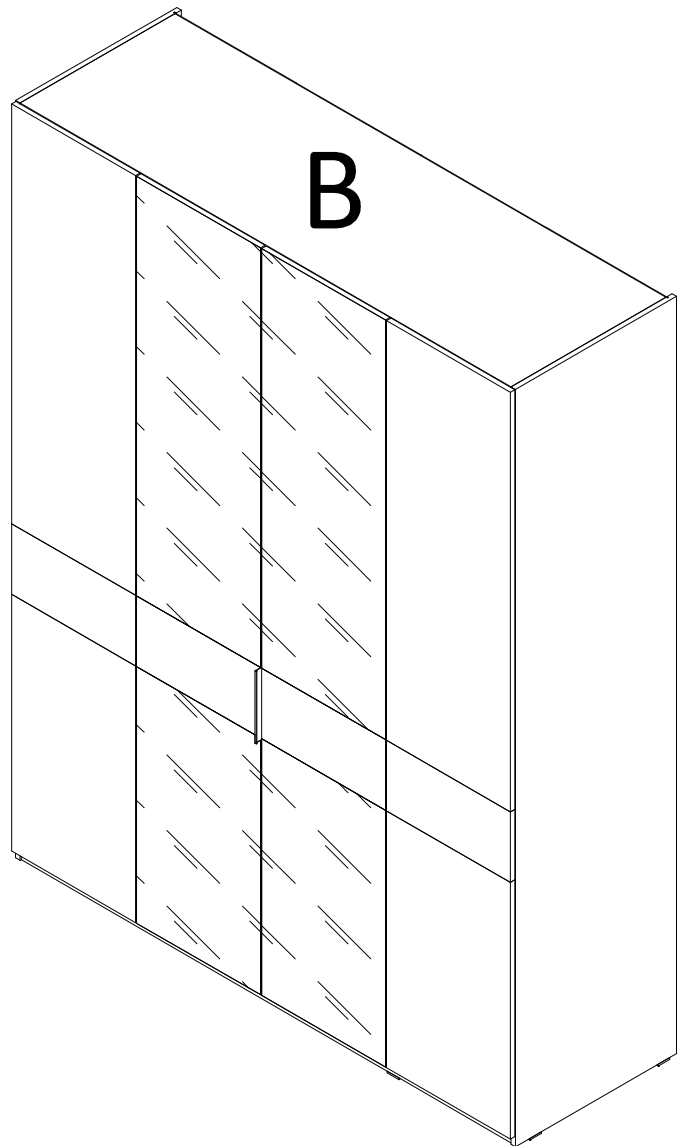
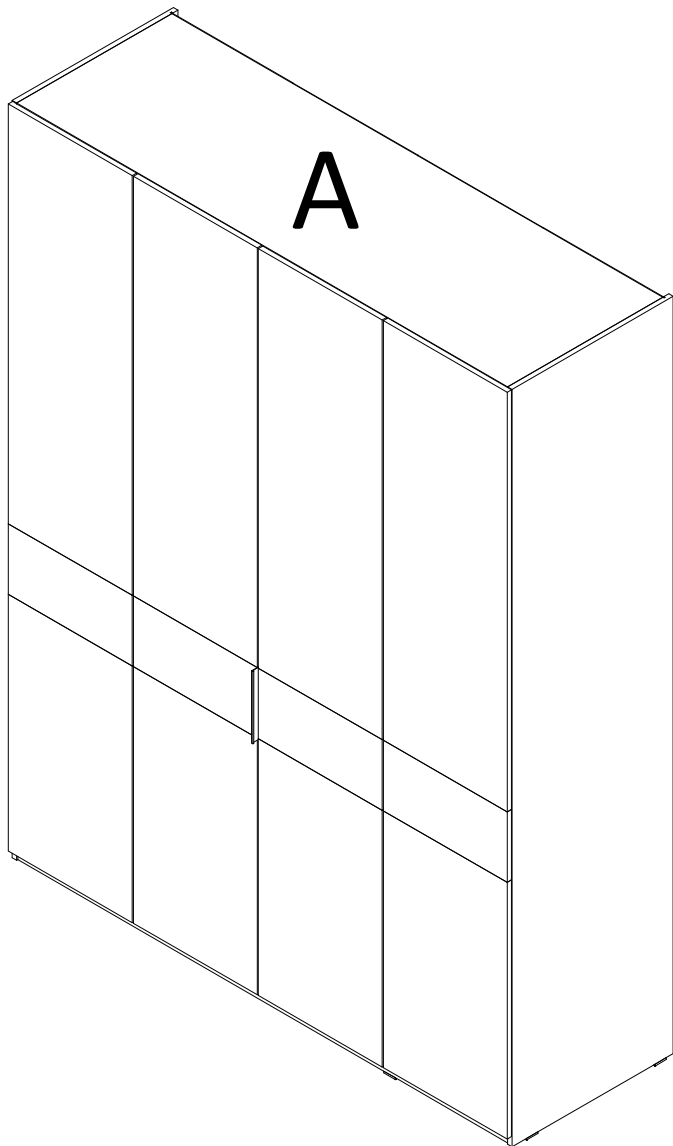
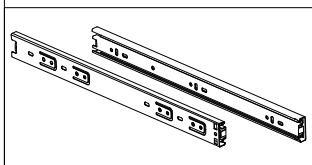
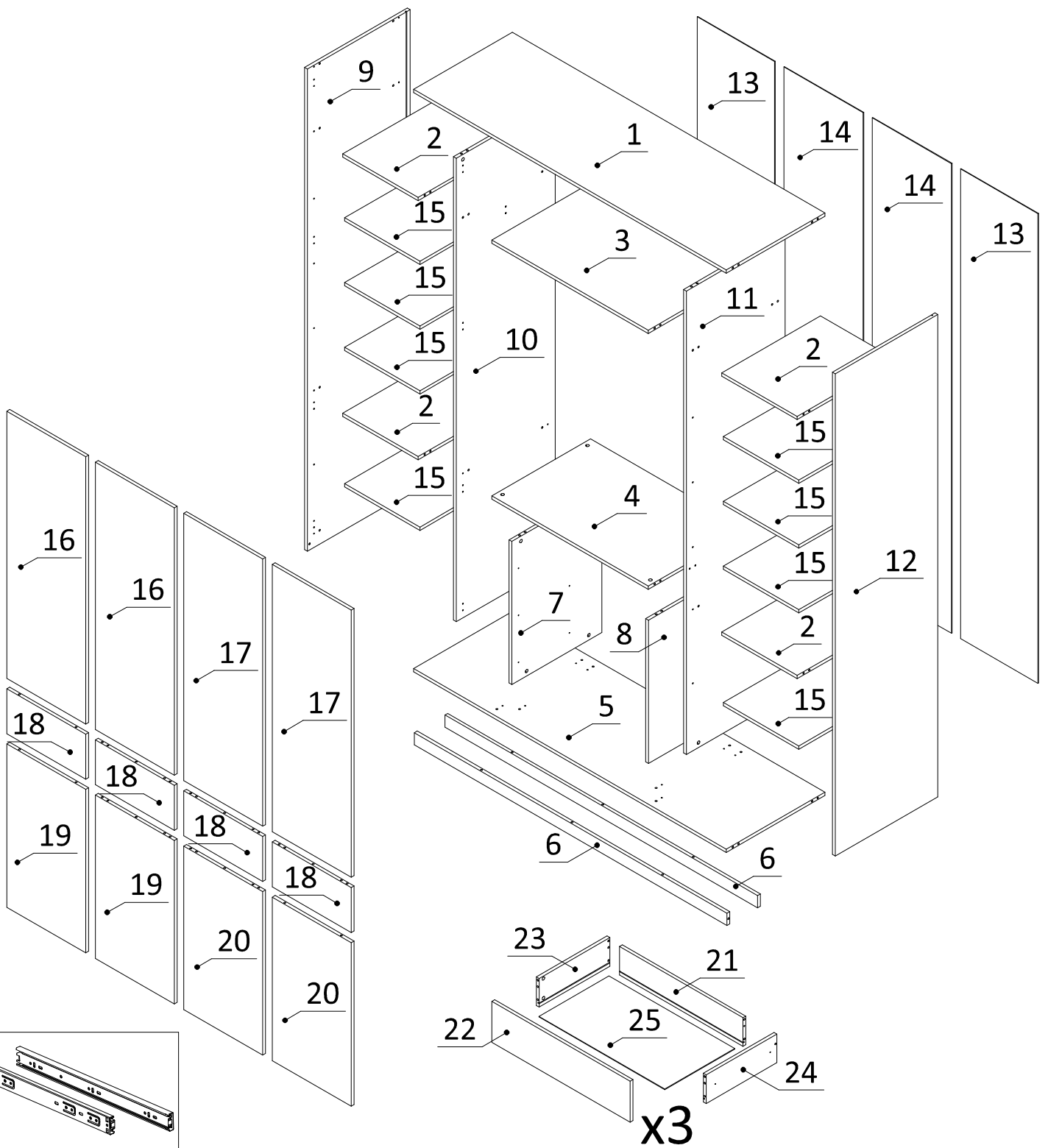
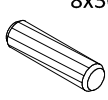
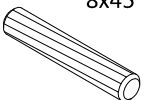


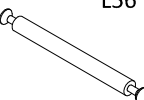
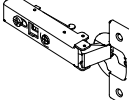
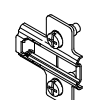
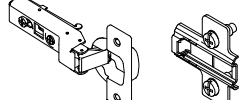
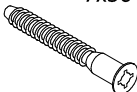




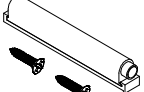
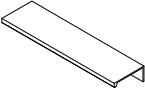

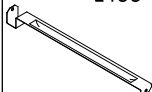
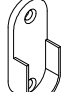
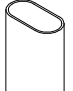
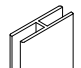

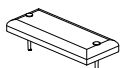

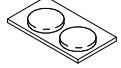
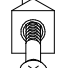





SORENO

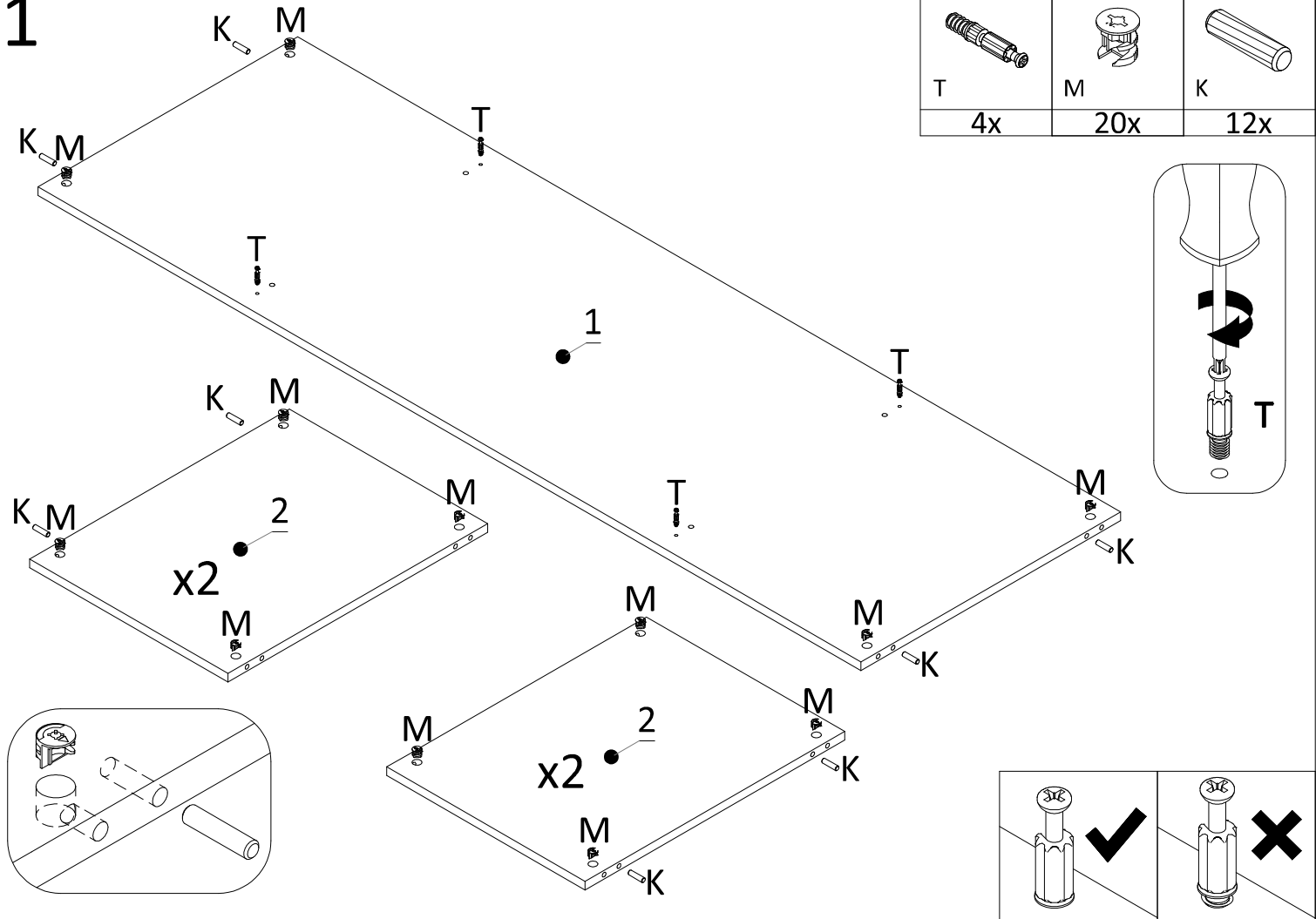
Szafa 180



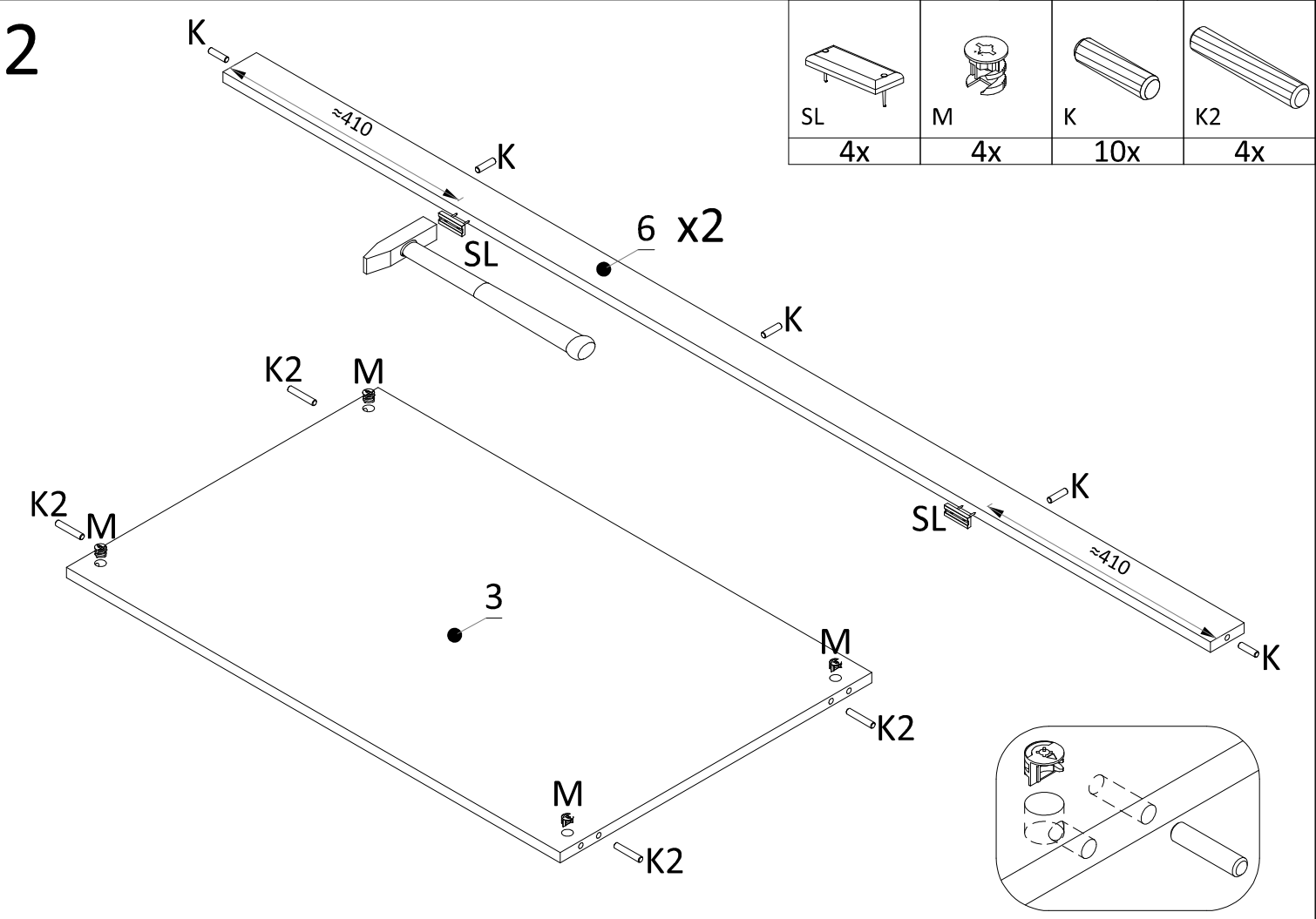


3x PH-0H35-400										
 K	 K2	 M	 T	 T2	 Z1	 PZ	 Z2+PZ			
68x	28x	92x	52x	20x	8x	8x	8x			
 KF	 E1	 W4	 W2	 W1	 TP+TW	 U	 KL	 WS	 R	
6x	24x	36x	46x	2x	2x	1x	1x	3x	2x	
 D	 H	 ZM	 SL	 P	 O	 S	 PM	 G	 PS	
1x	1x	92x	8x	32x	4x	8x	40x	80x	1x	

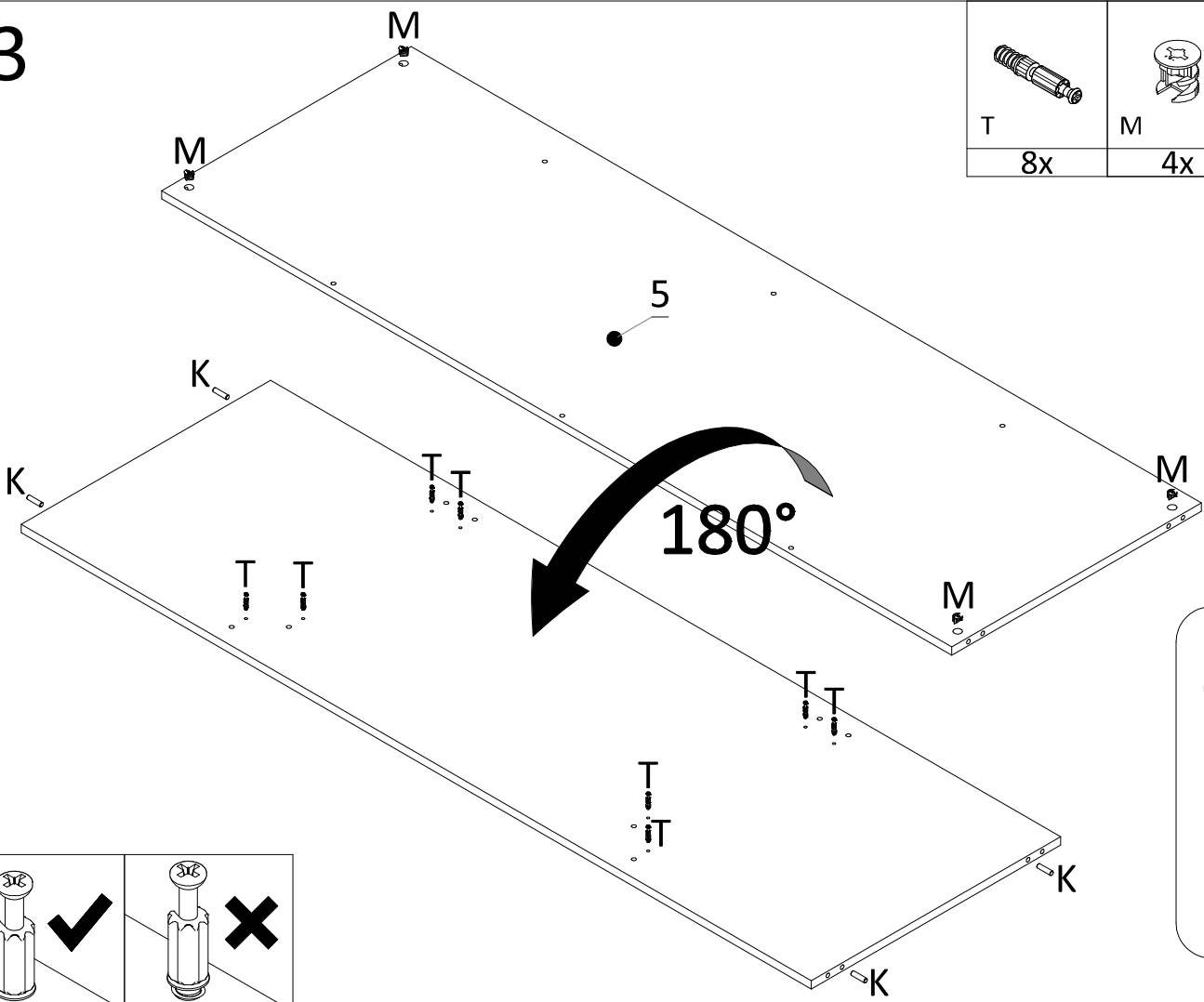
1

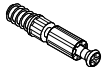

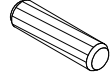


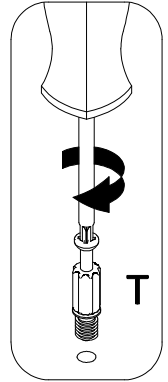
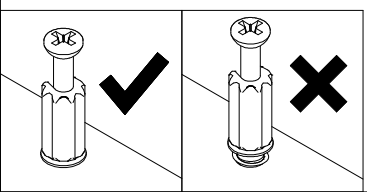
2



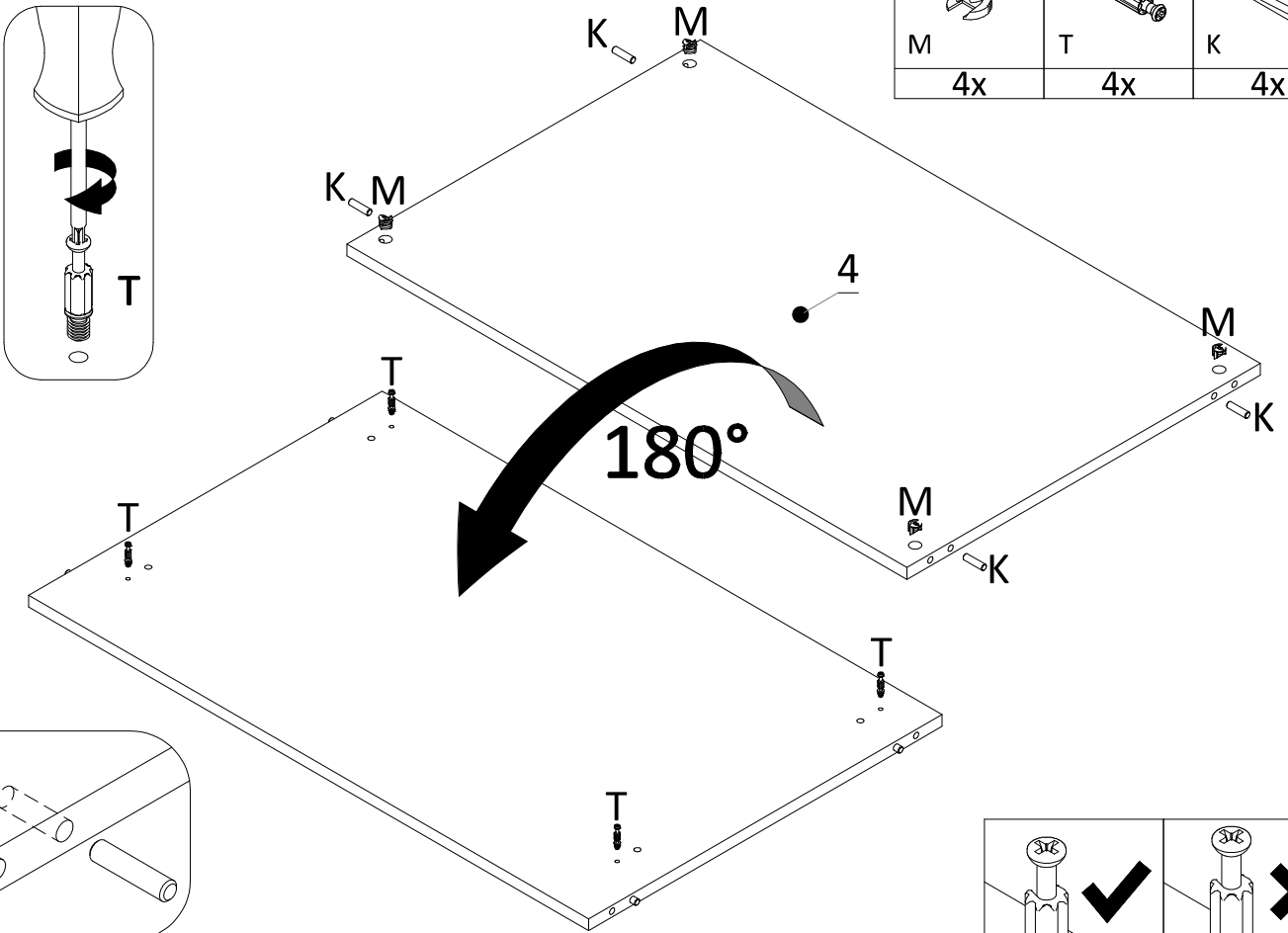
3


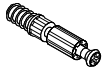
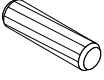


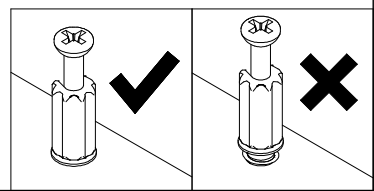
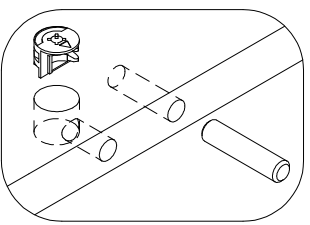
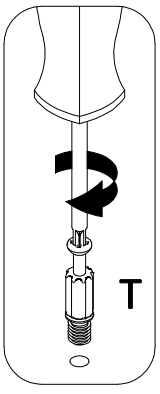
		
T 8x	M 4x	K 4x



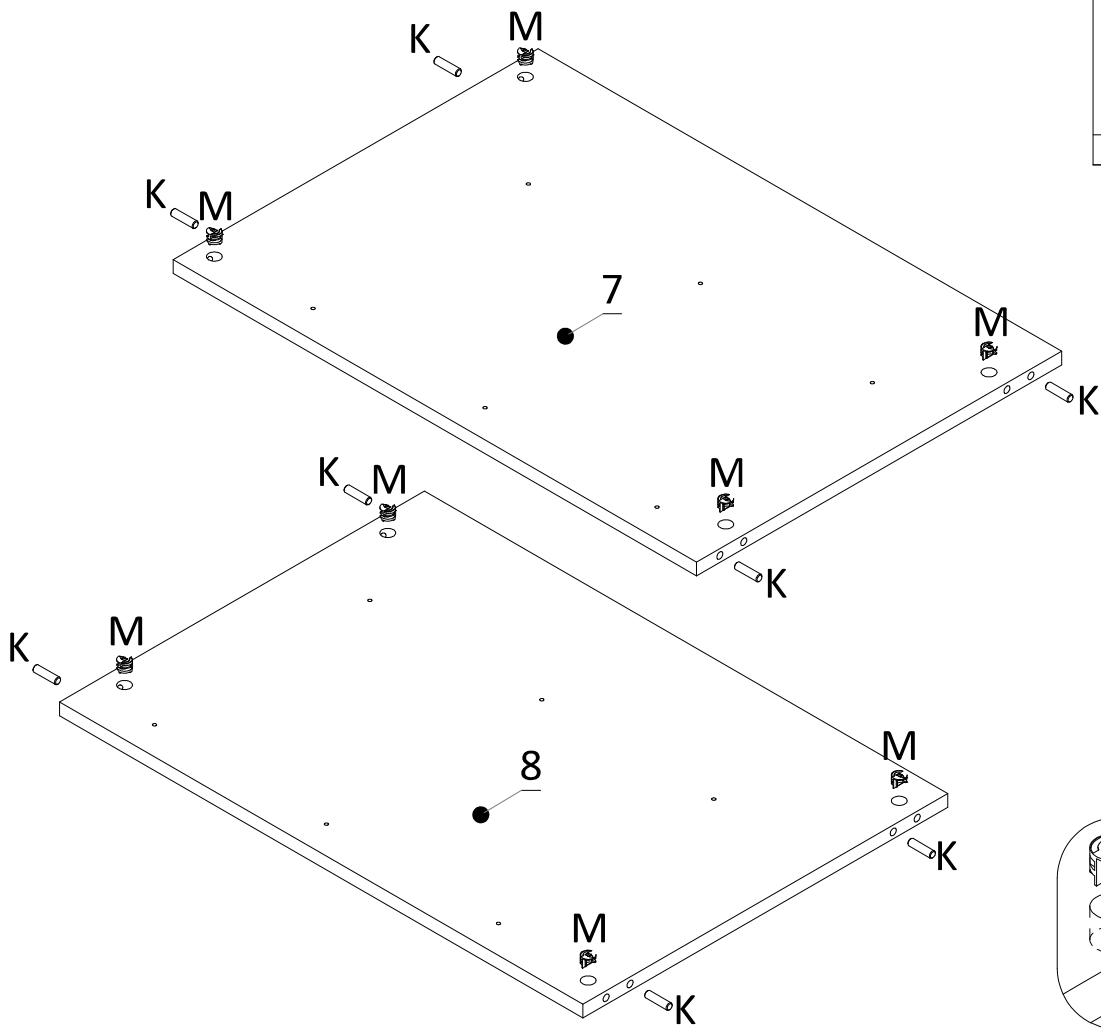
4

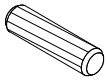



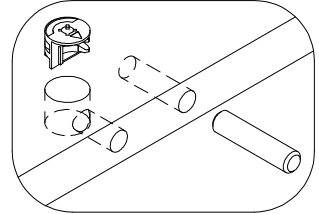
		
M 4x	T 4x	K 4x



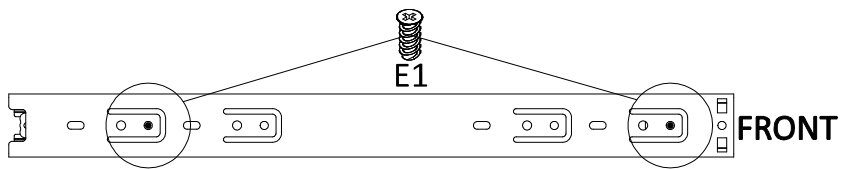
5




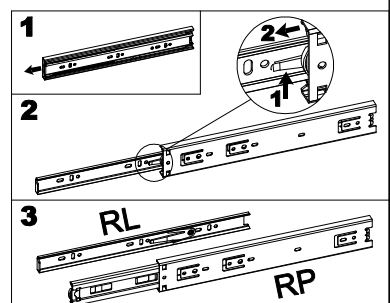
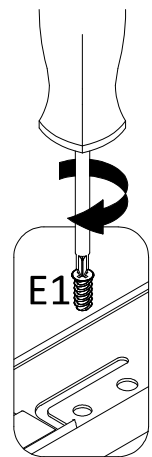
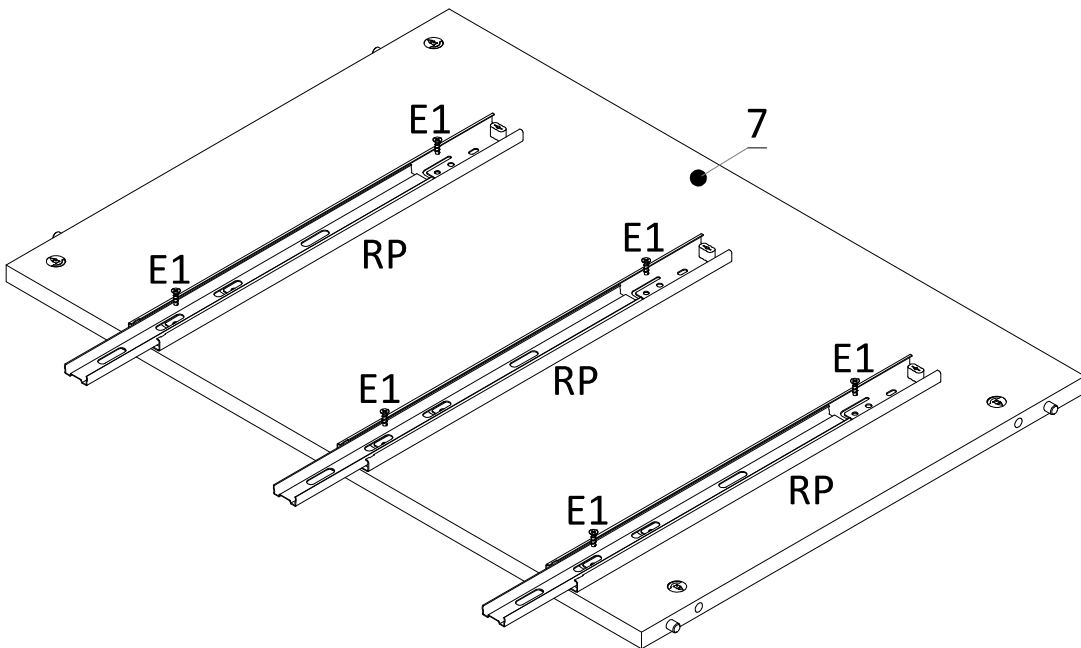
	
K	M
8x	8x



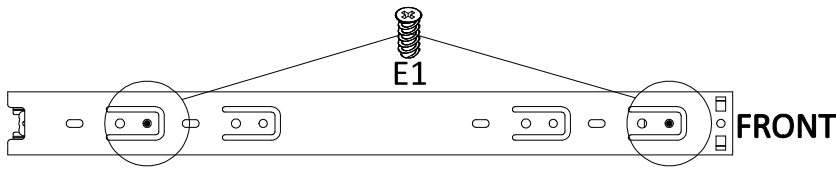
6



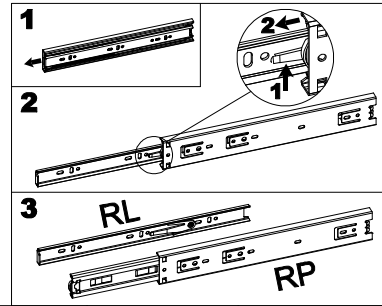
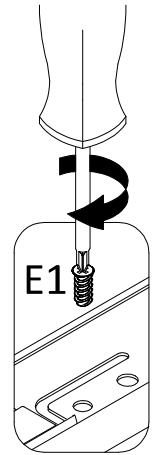
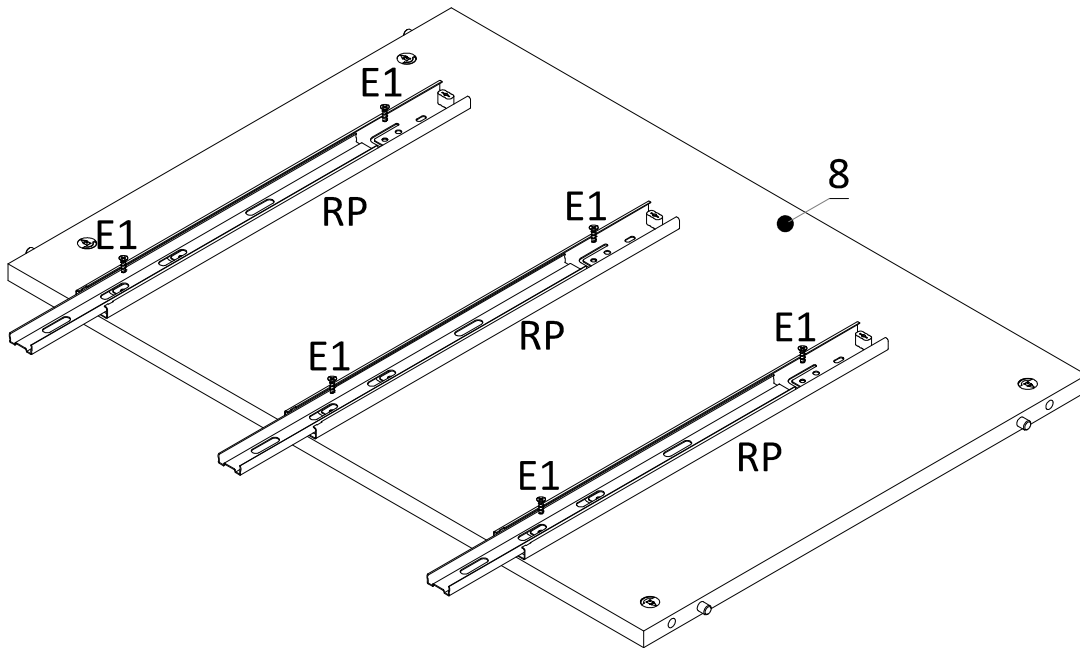

E1
6x



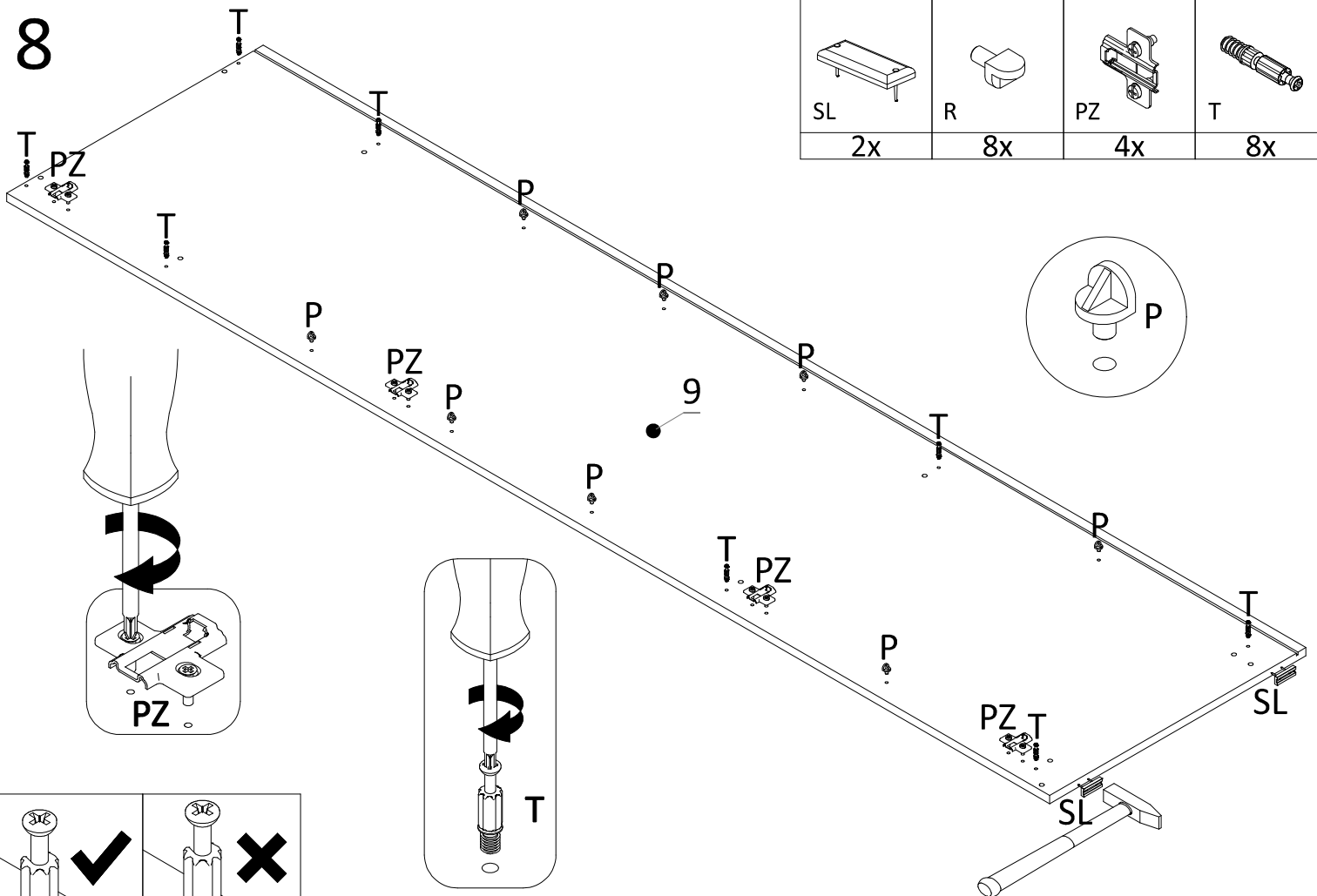
7



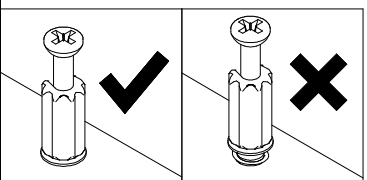
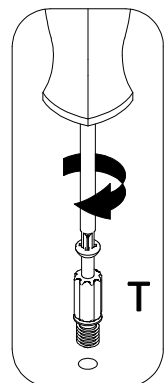
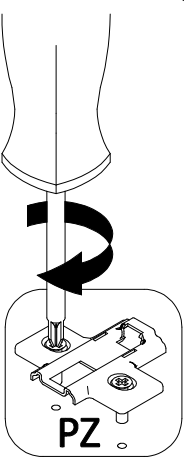
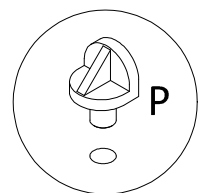
E1
6x



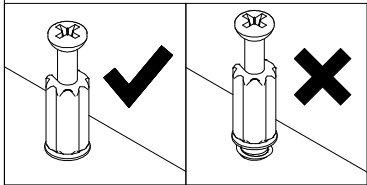
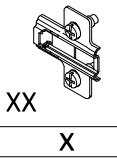
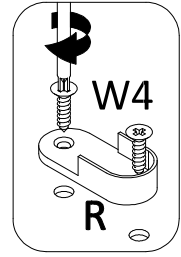
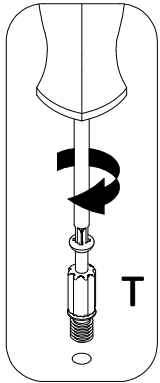
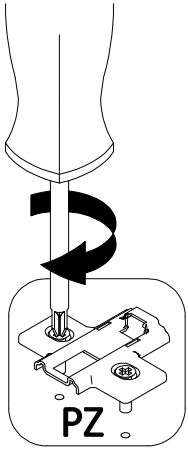
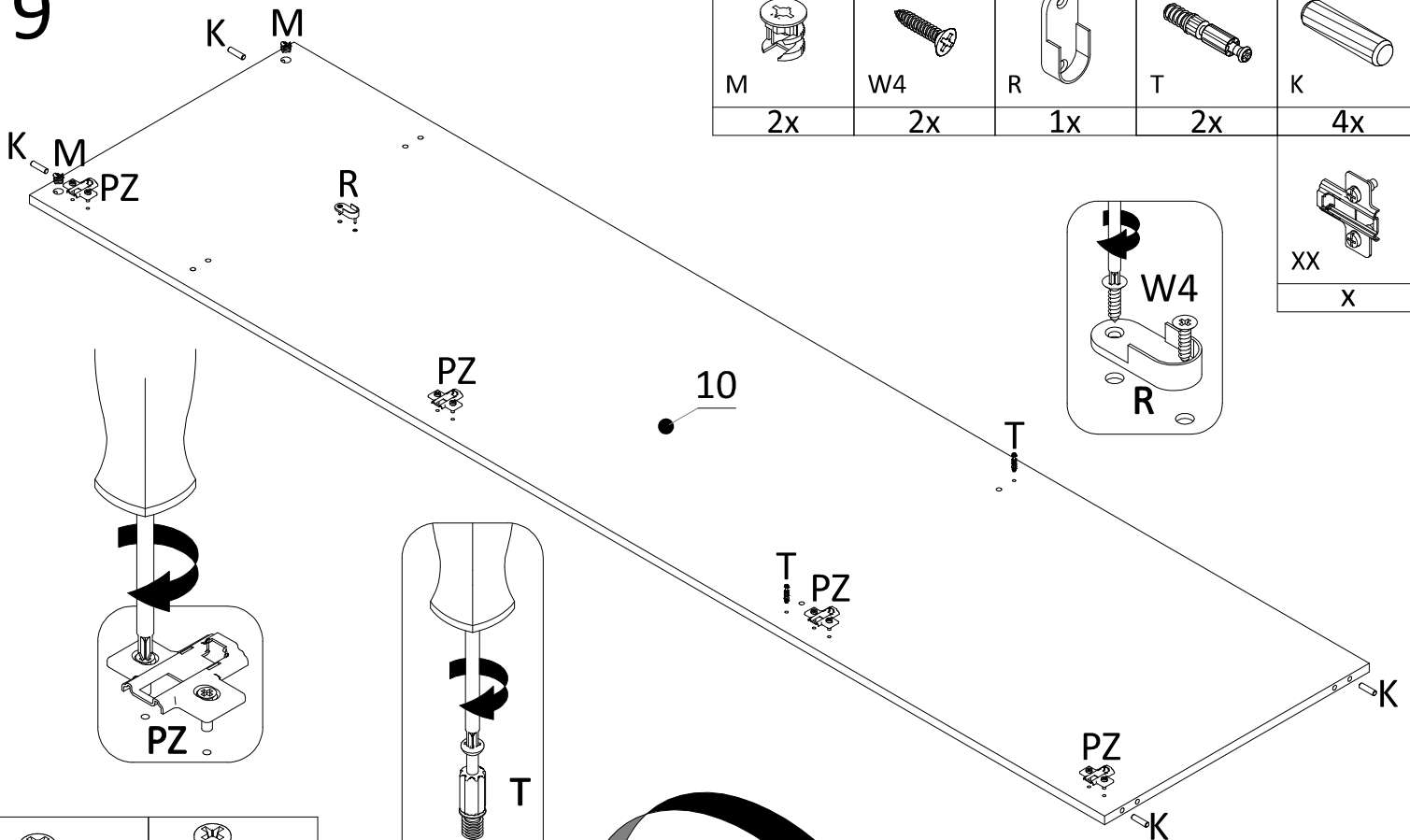
8



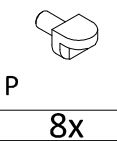
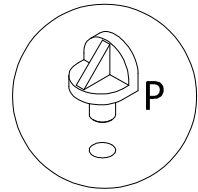
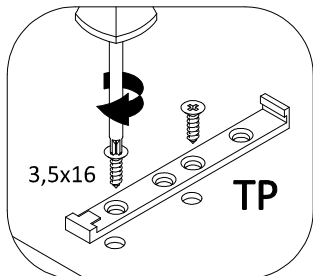
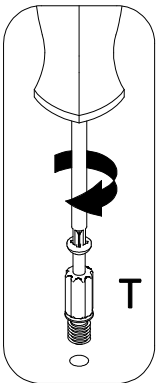
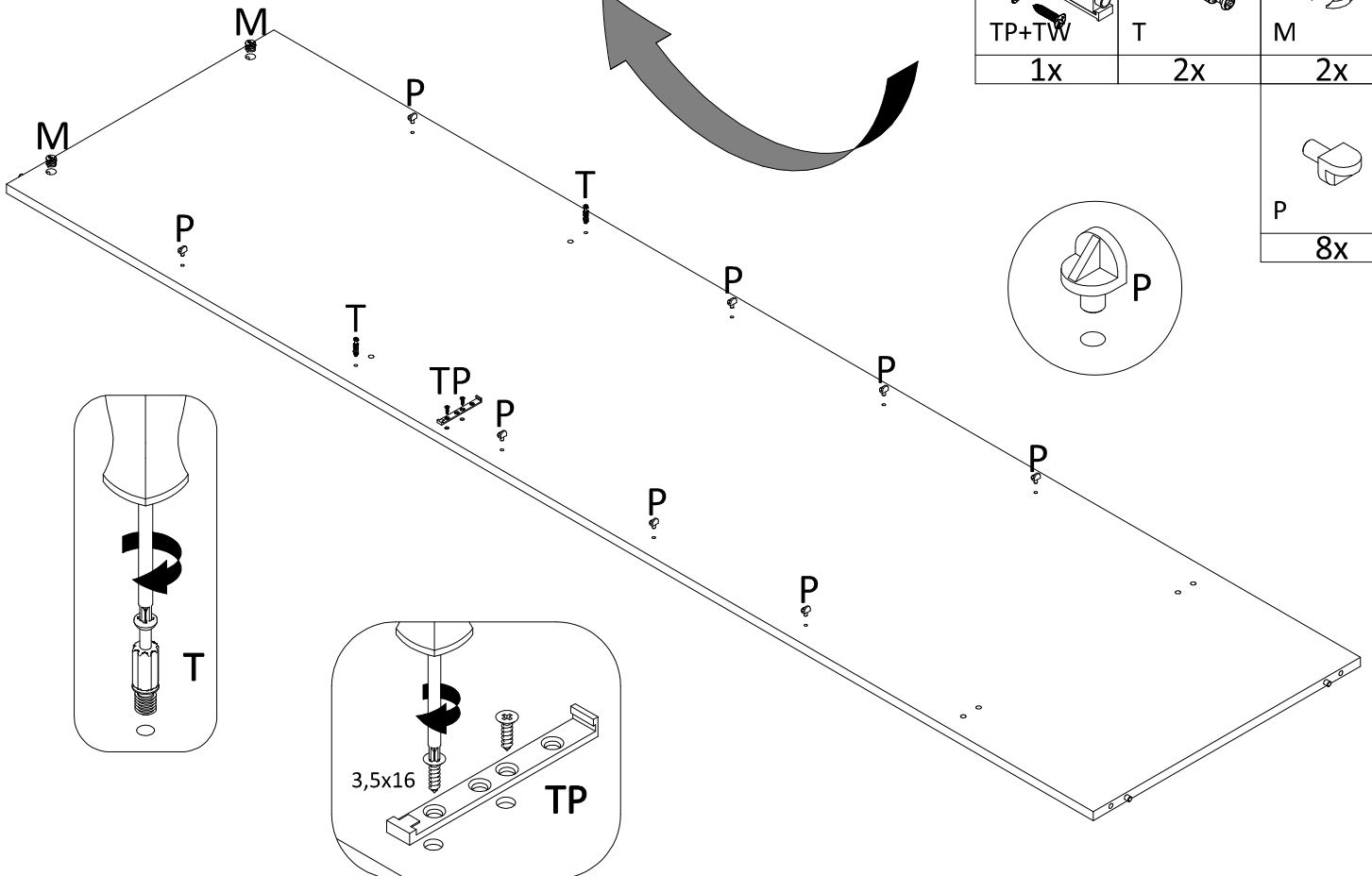
SL	R	PZ	T
2x	8x	4x	8x



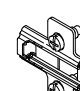

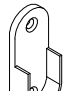
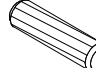
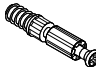

9

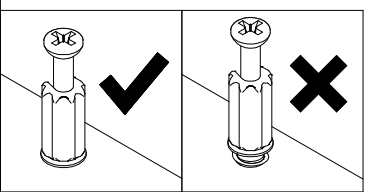
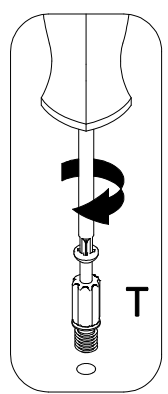
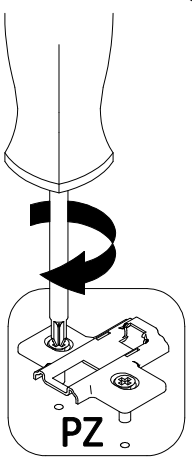
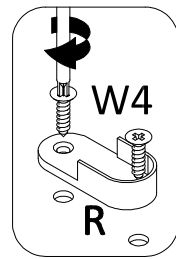
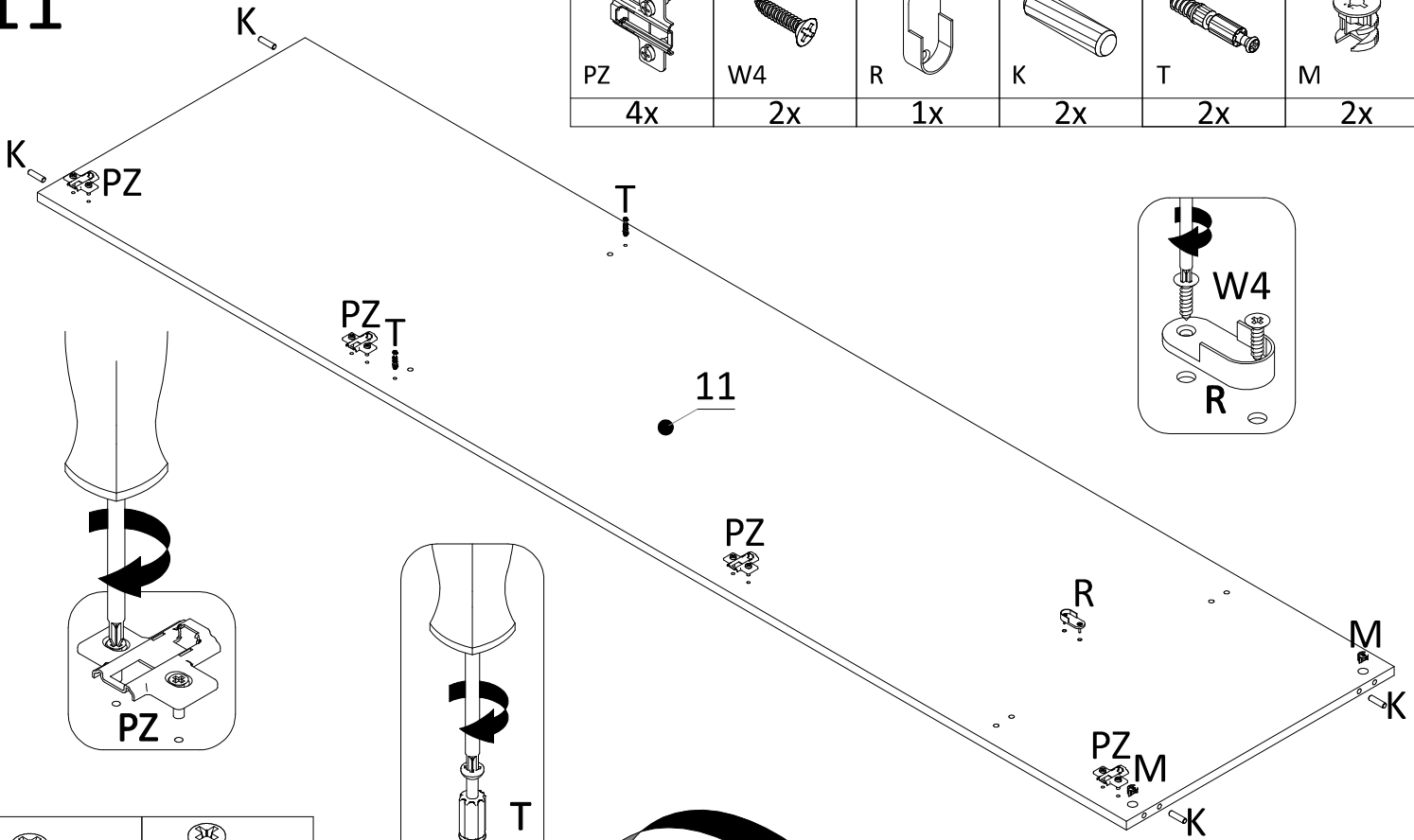


10


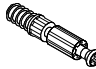




11

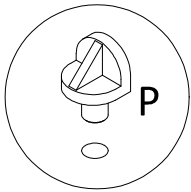
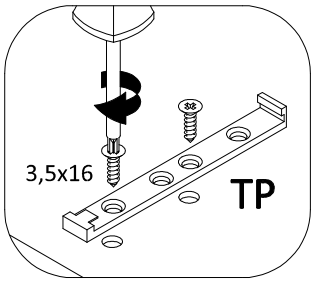
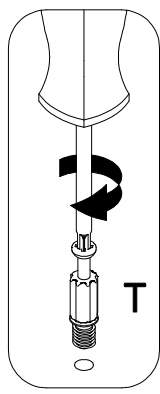
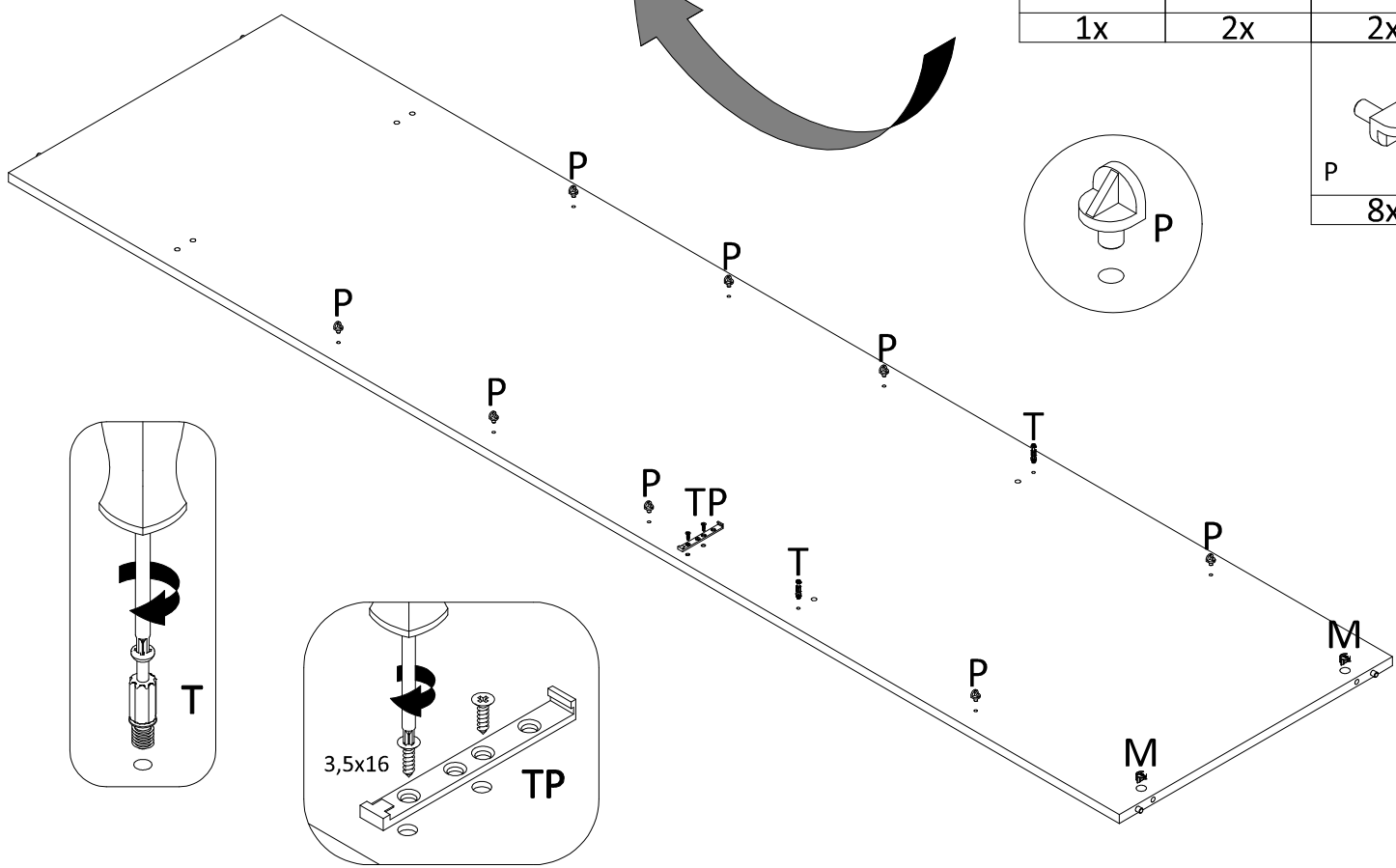
					
PZ	W4	R	K	T	M
4x	2x	1x	2x	2x	2x



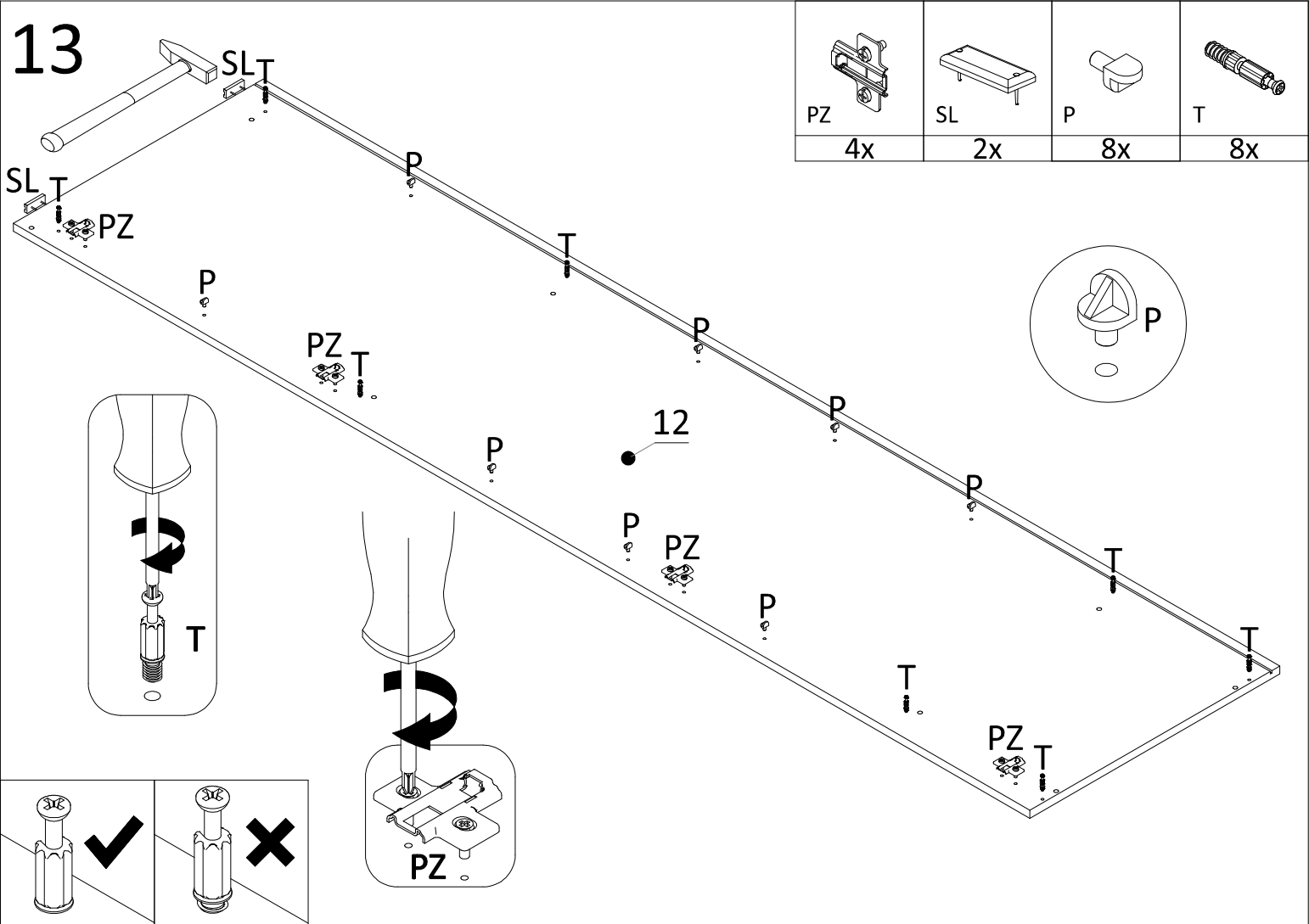
12

		
TP+TW	T	M
1x	2x	2x

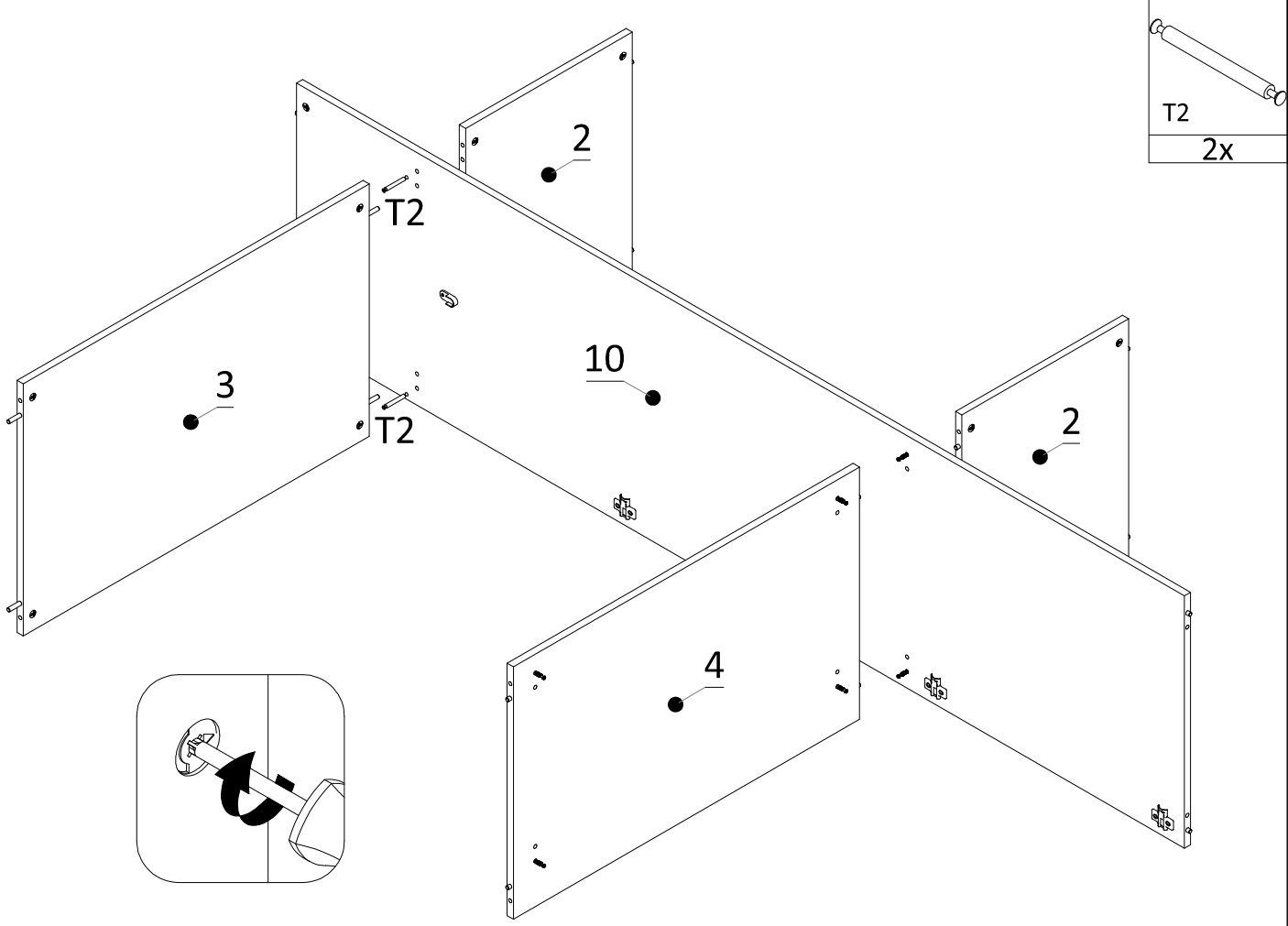

P
8x



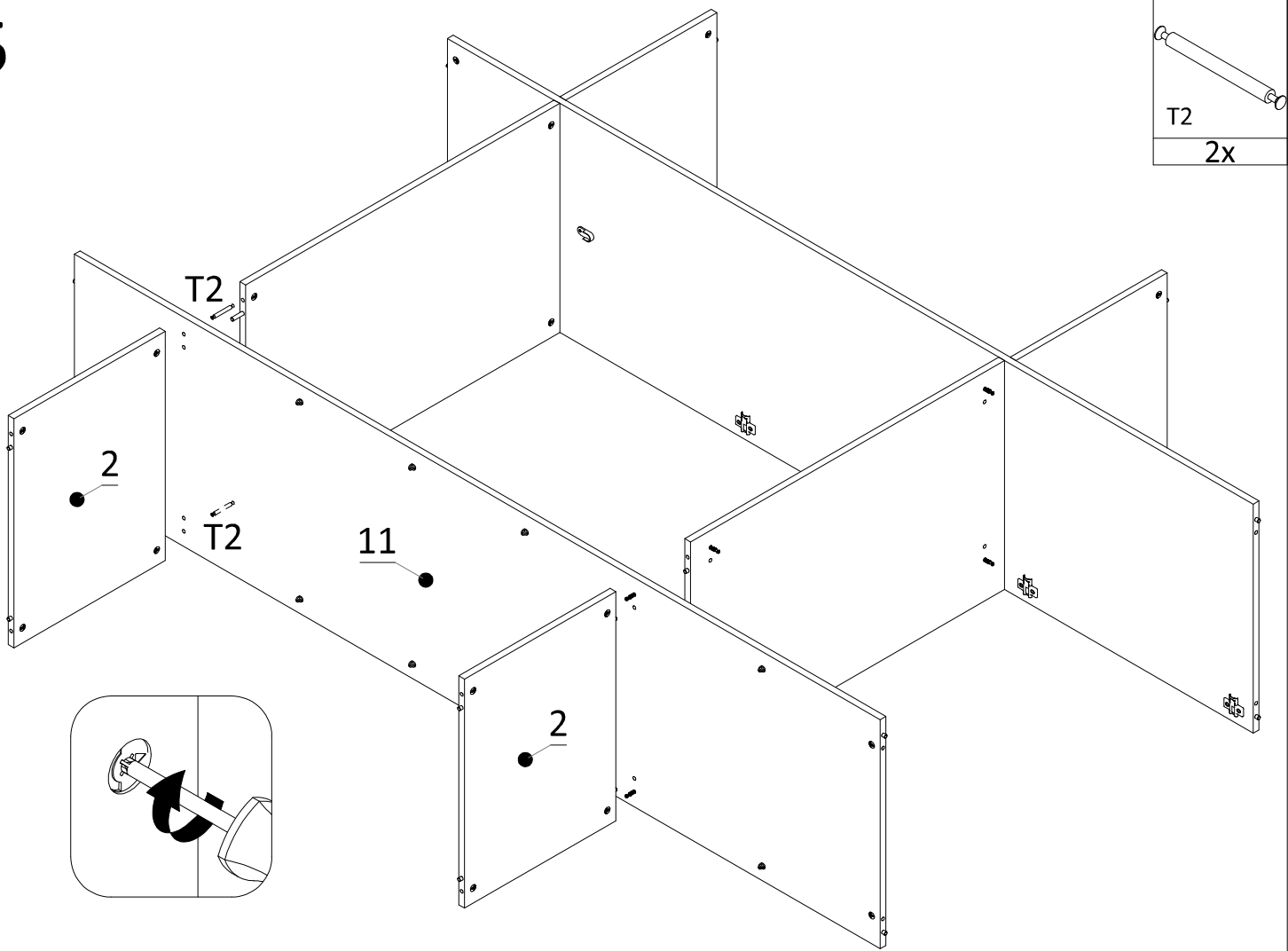
13



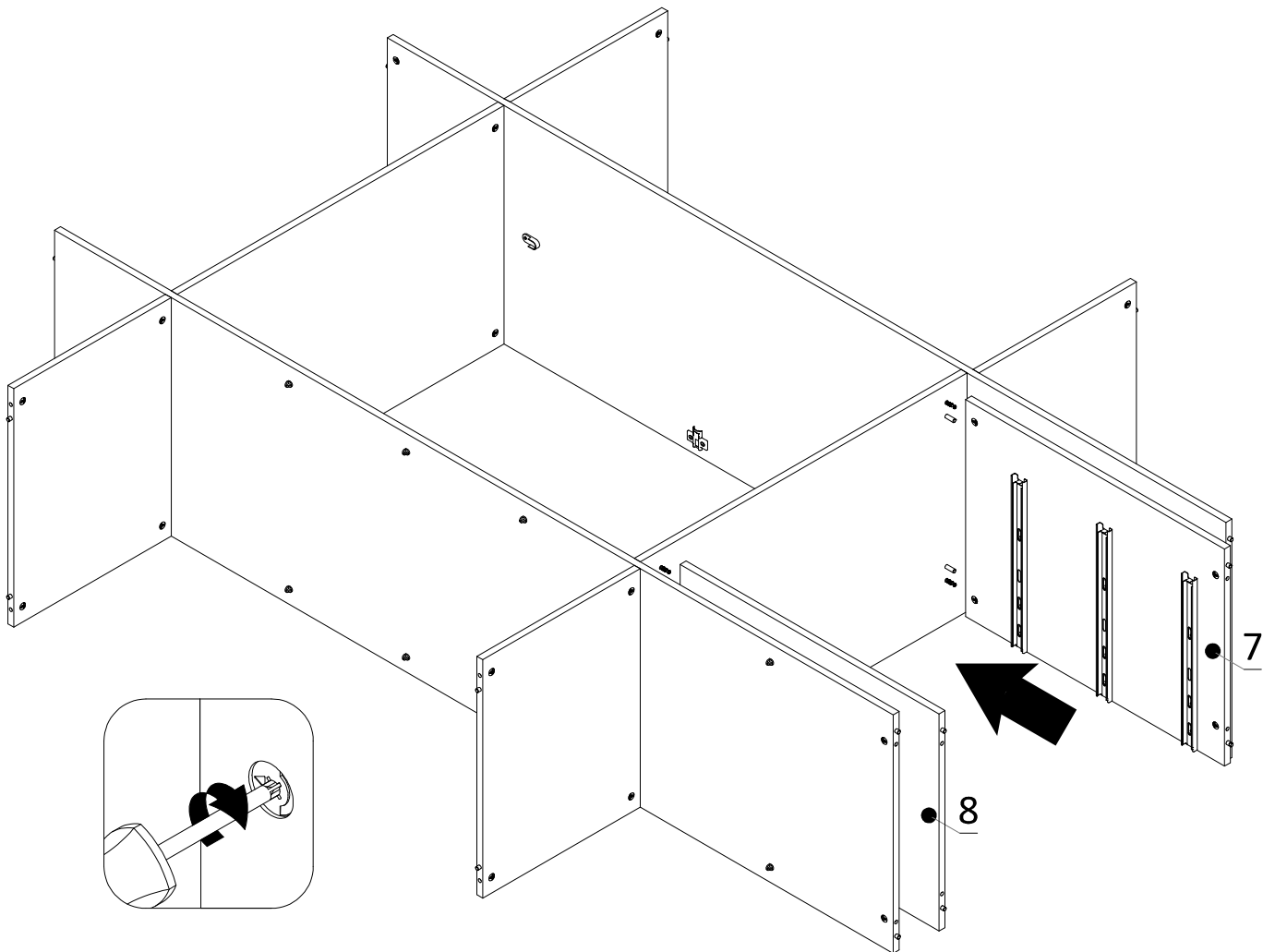
14



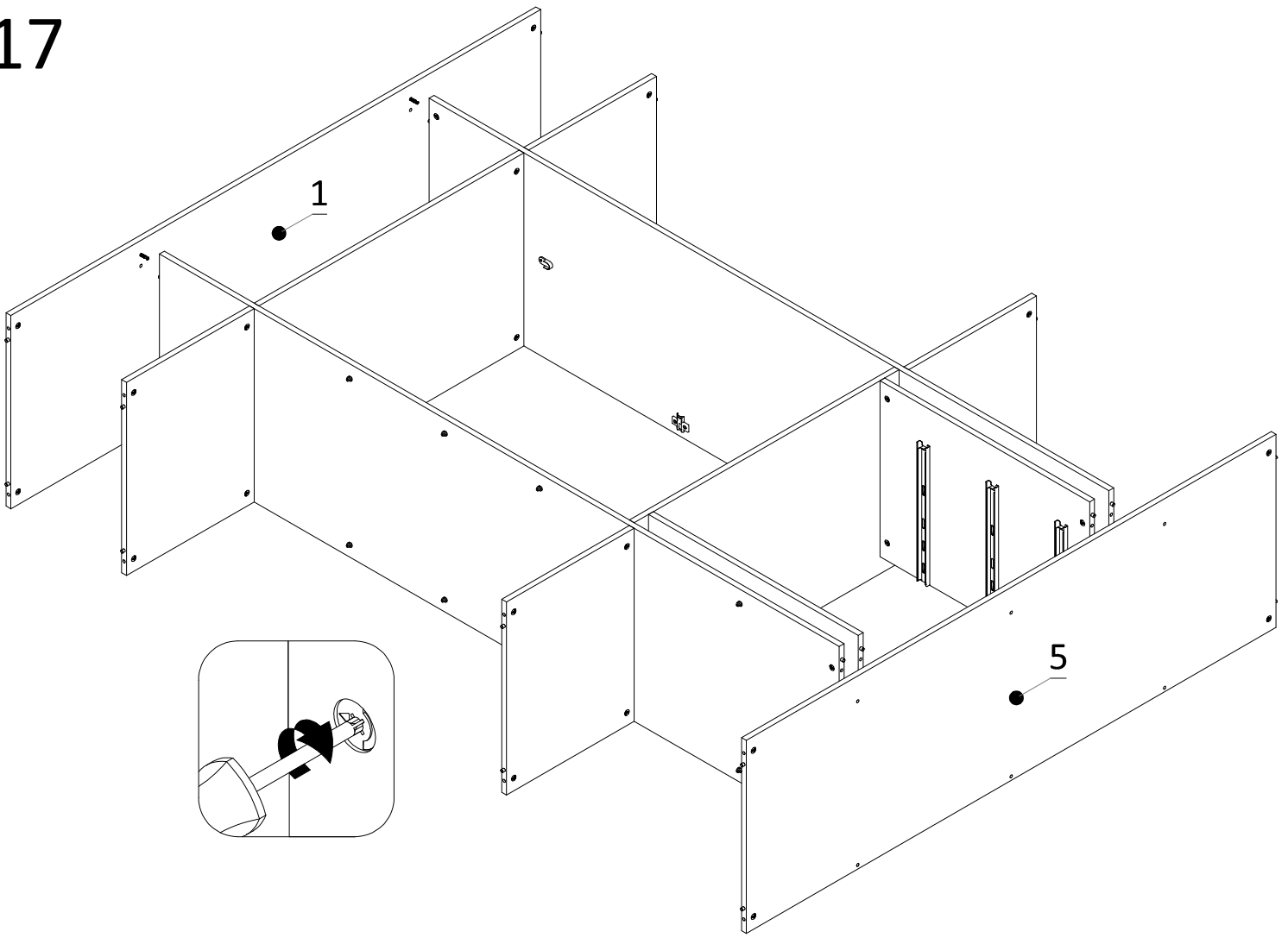
15



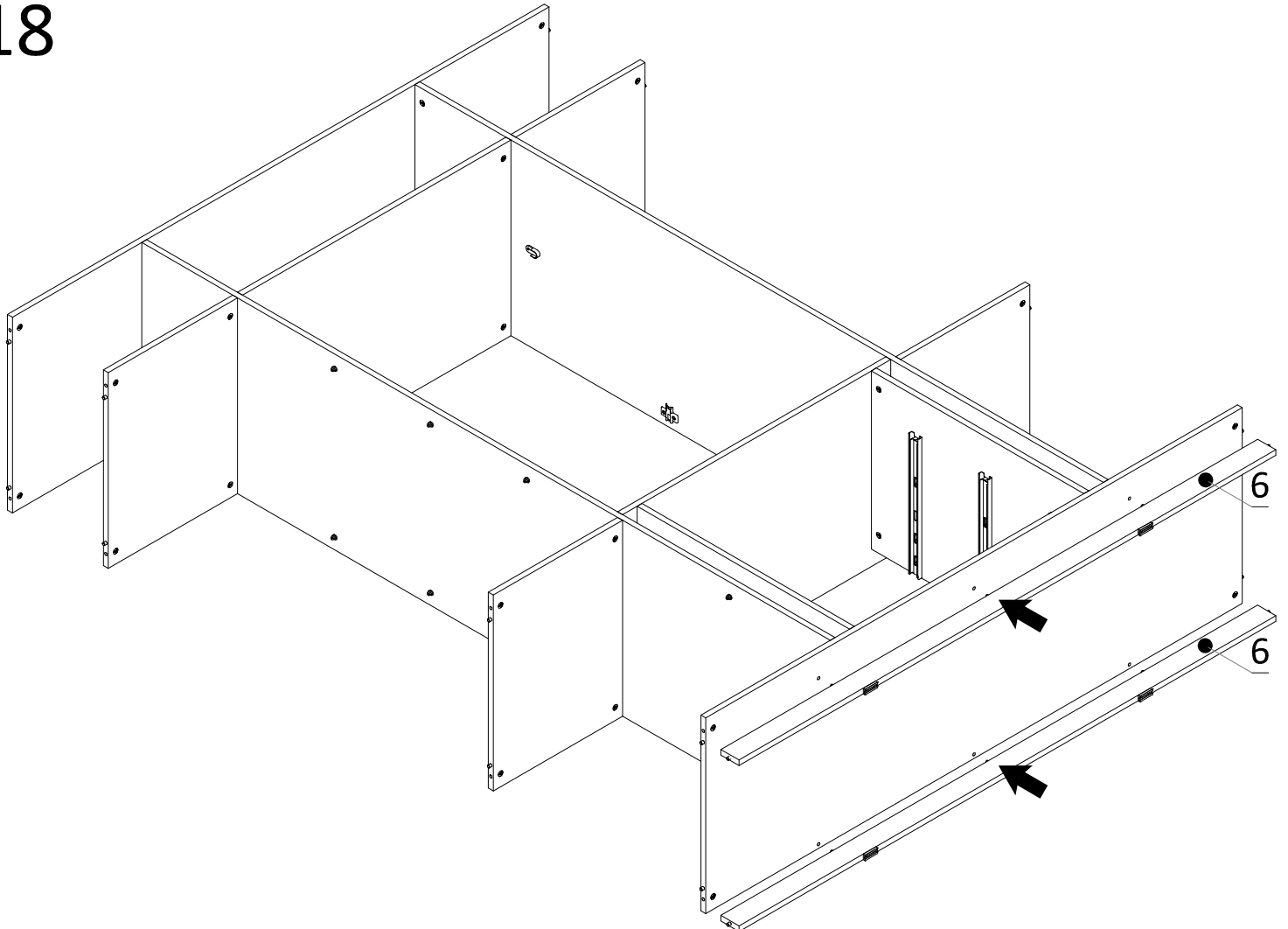
16



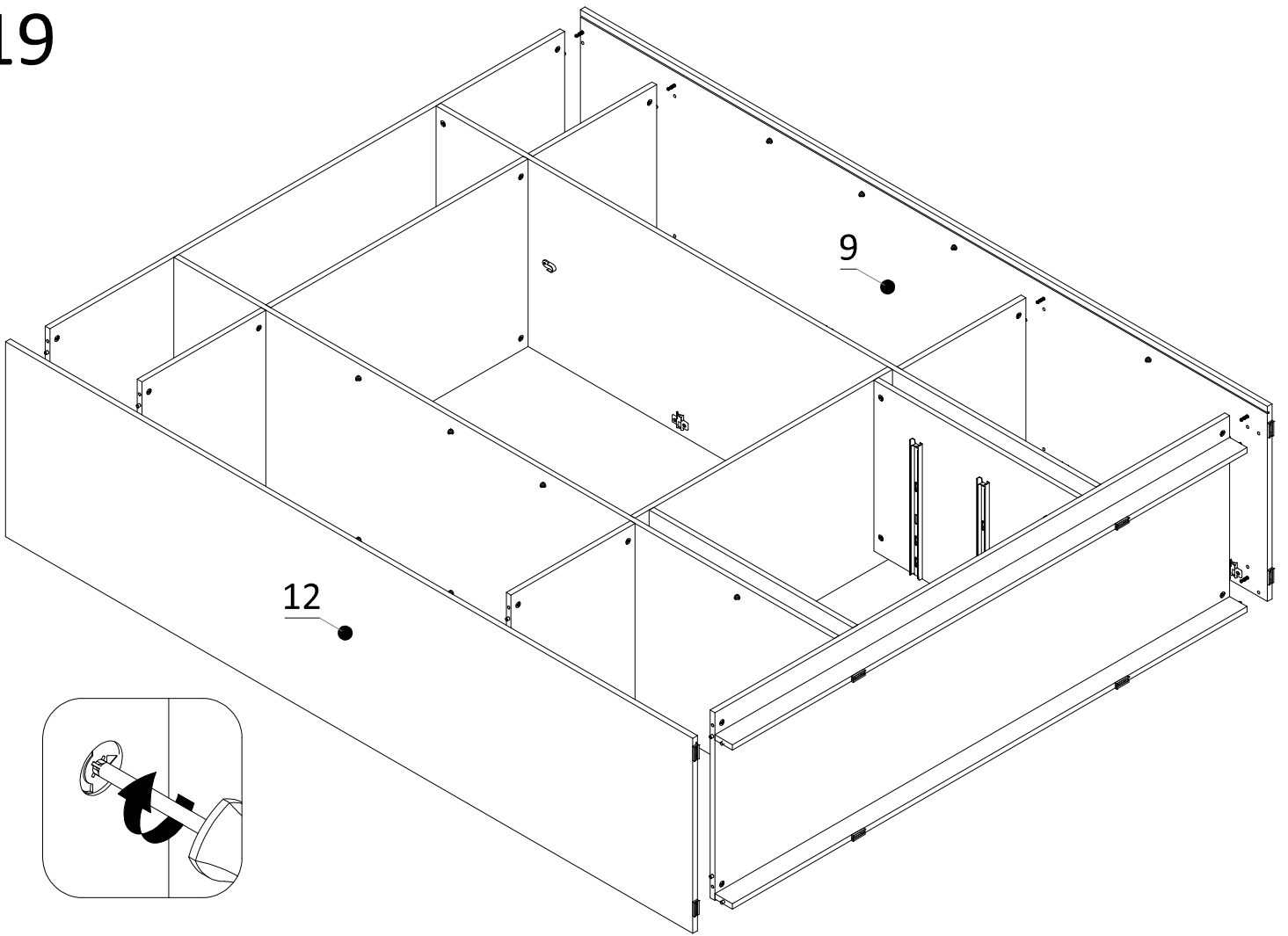
17



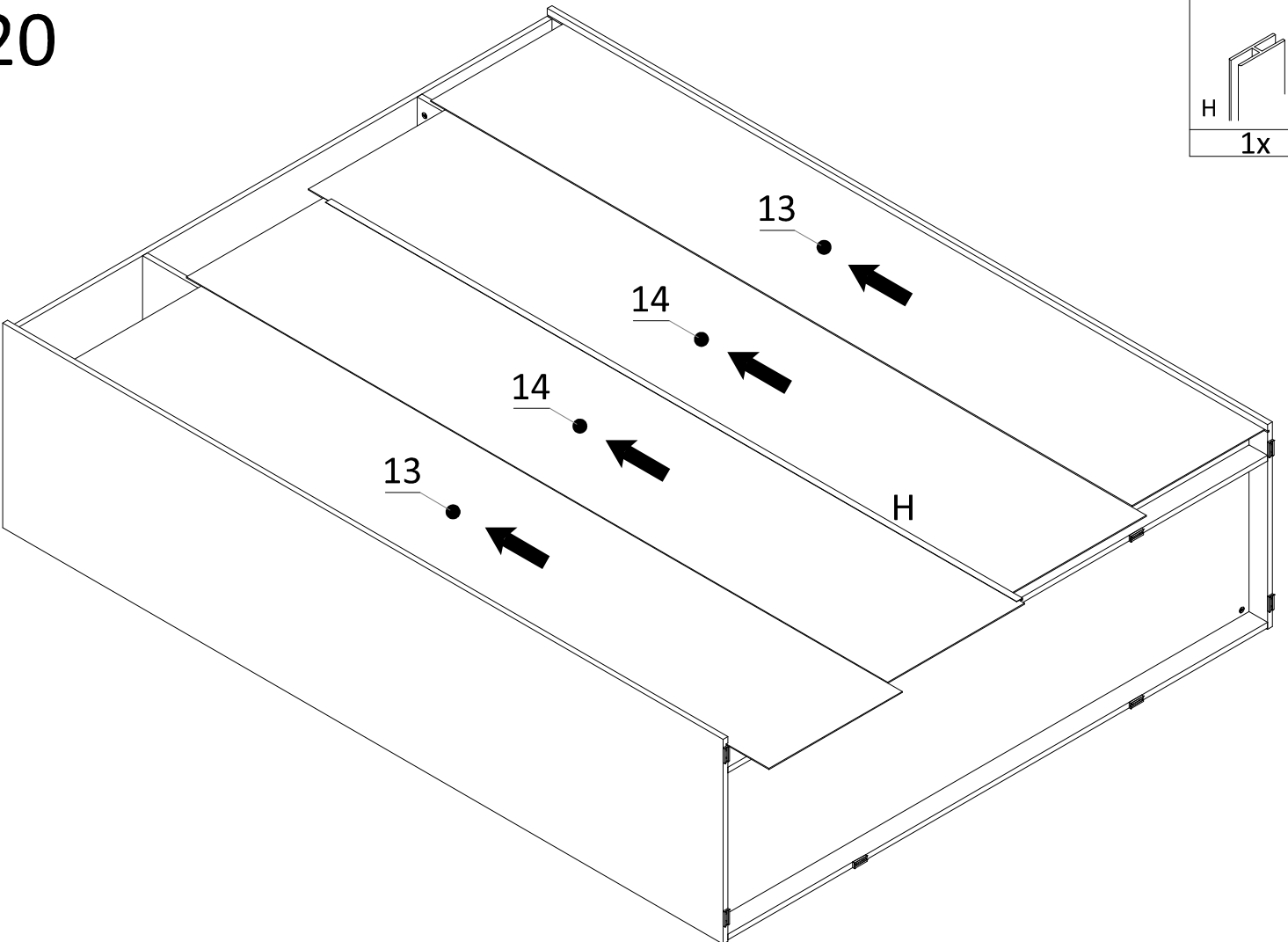
18



19



20

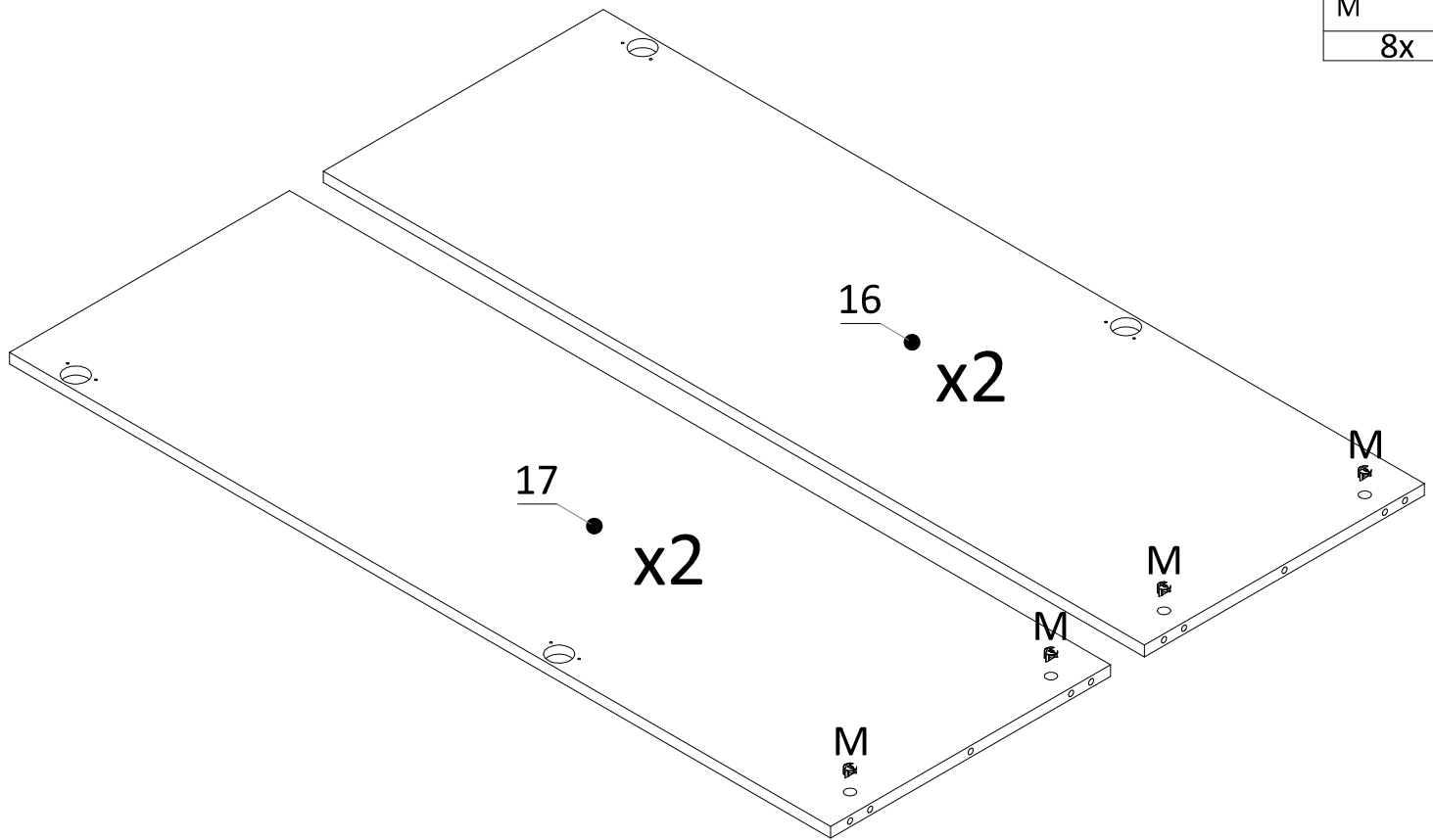


23

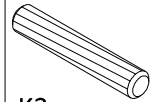


M

8x



24



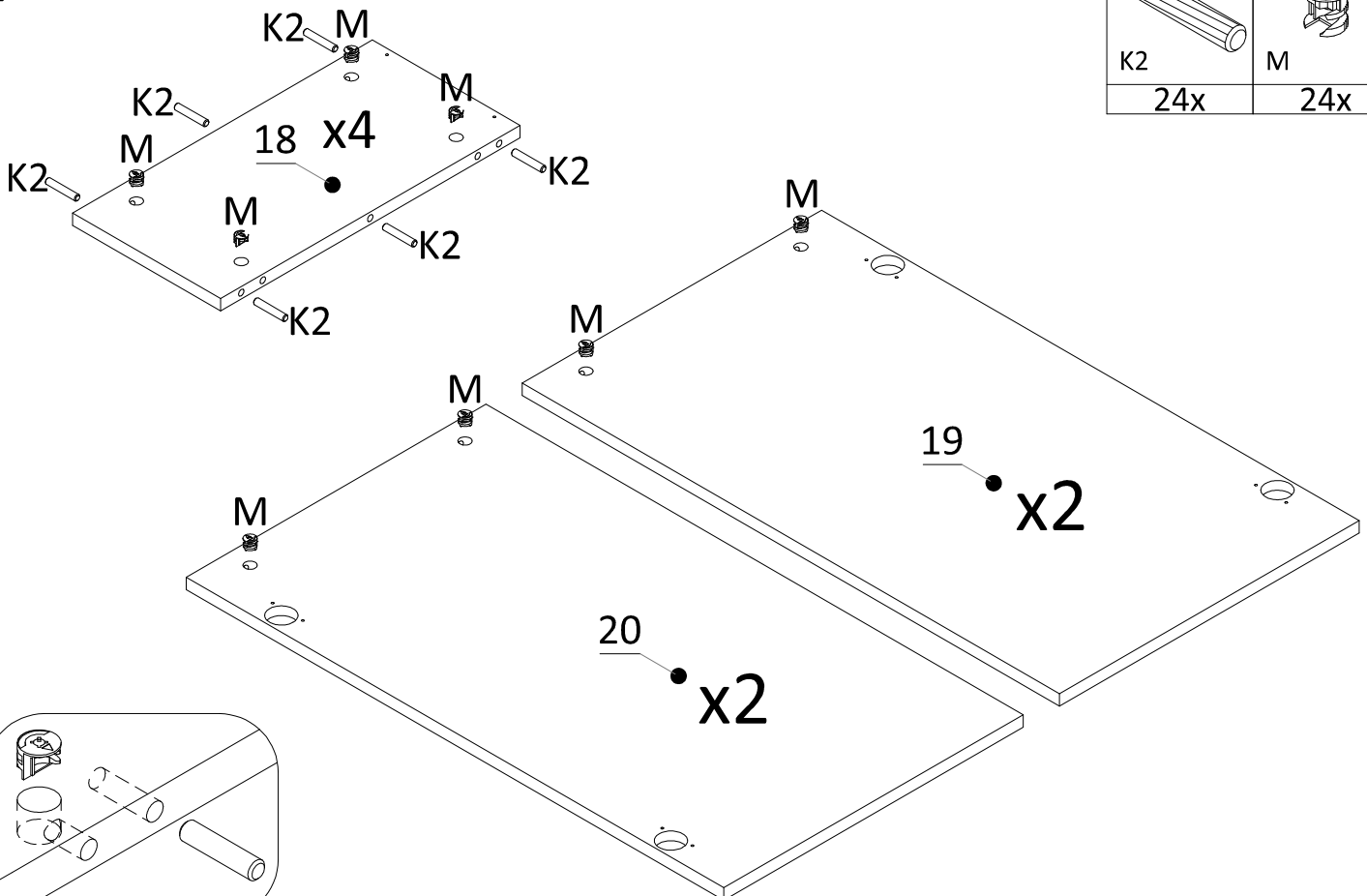
K2

24x

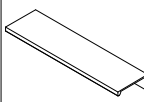



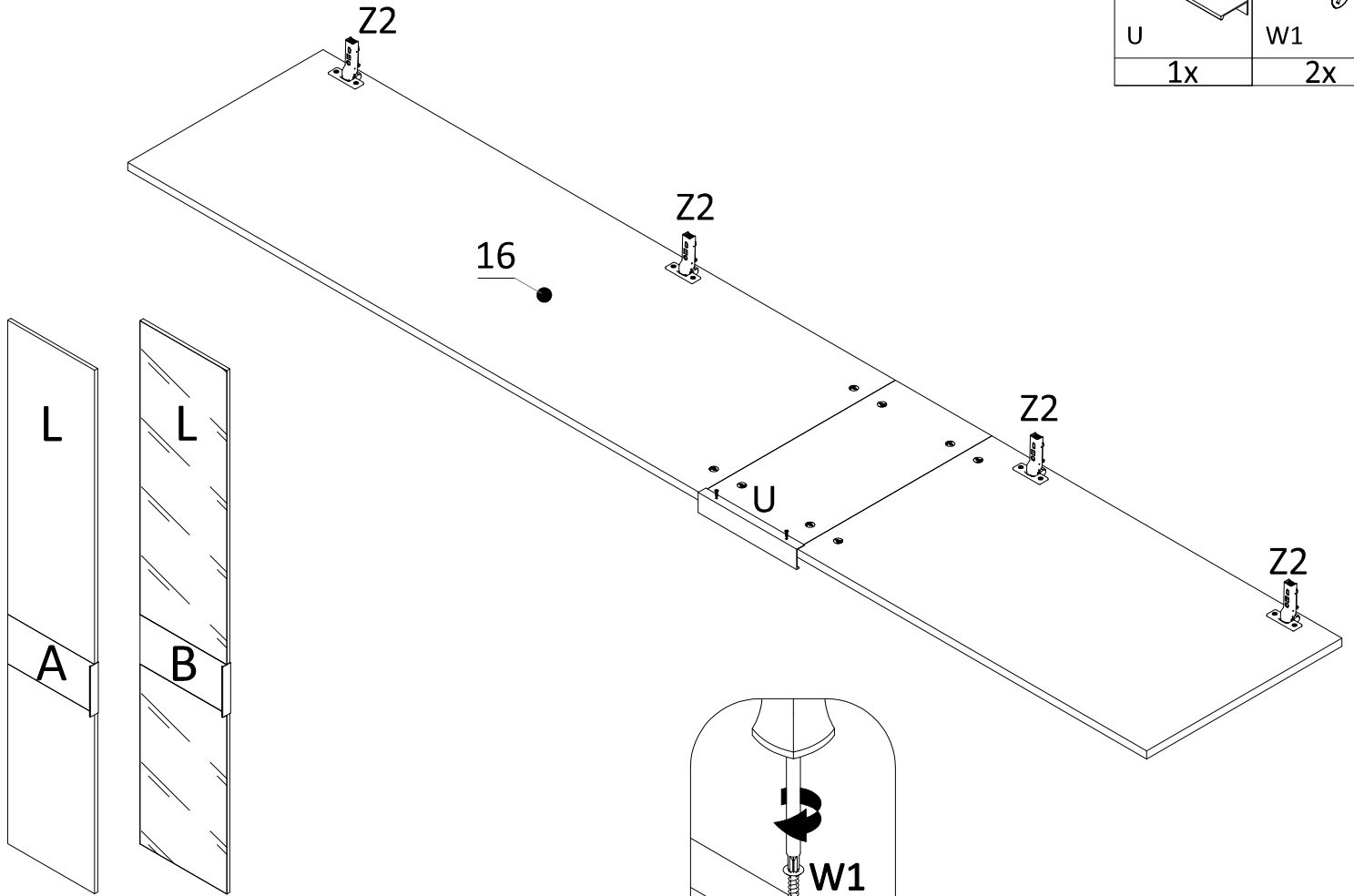
M

24x

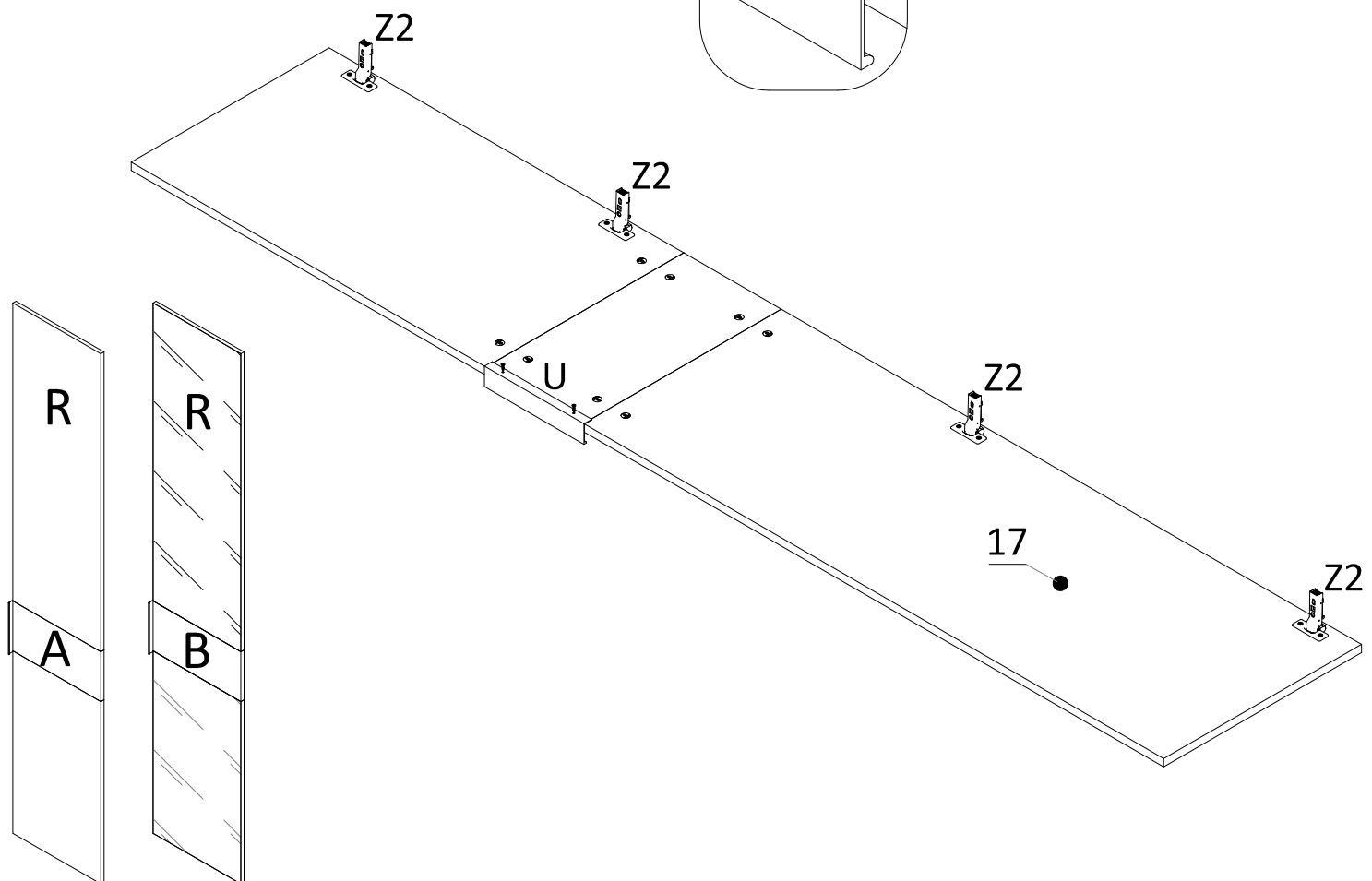


27 Option L-A, L-B

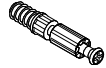
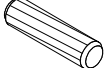
	
U	W1
1x	2x

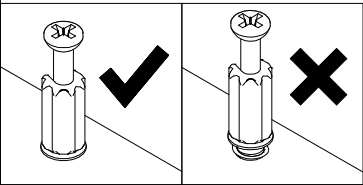
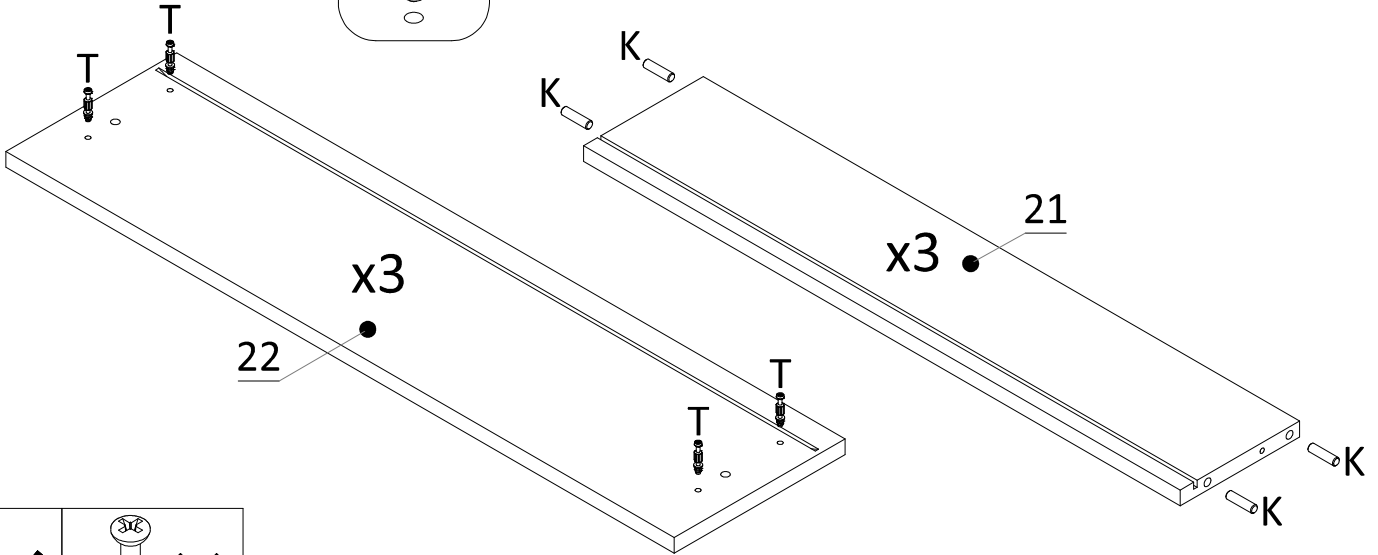
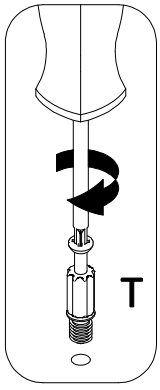


Option R-A, R-B



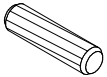
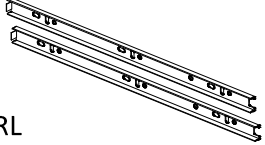


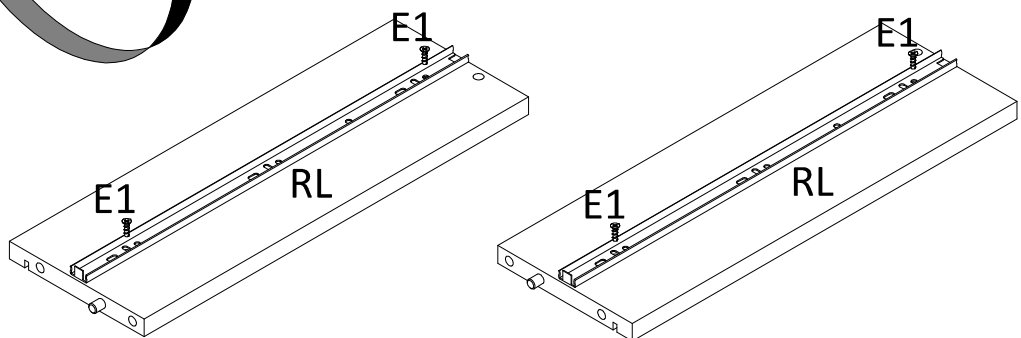
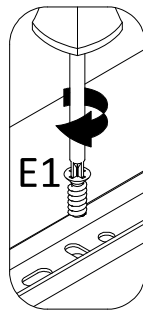
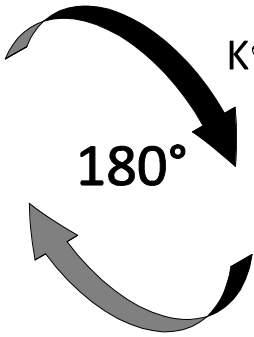
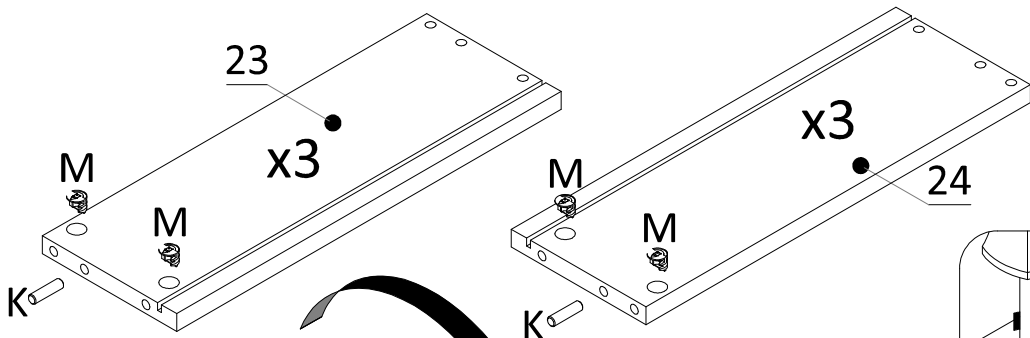
28

	
T	K
12x	12x

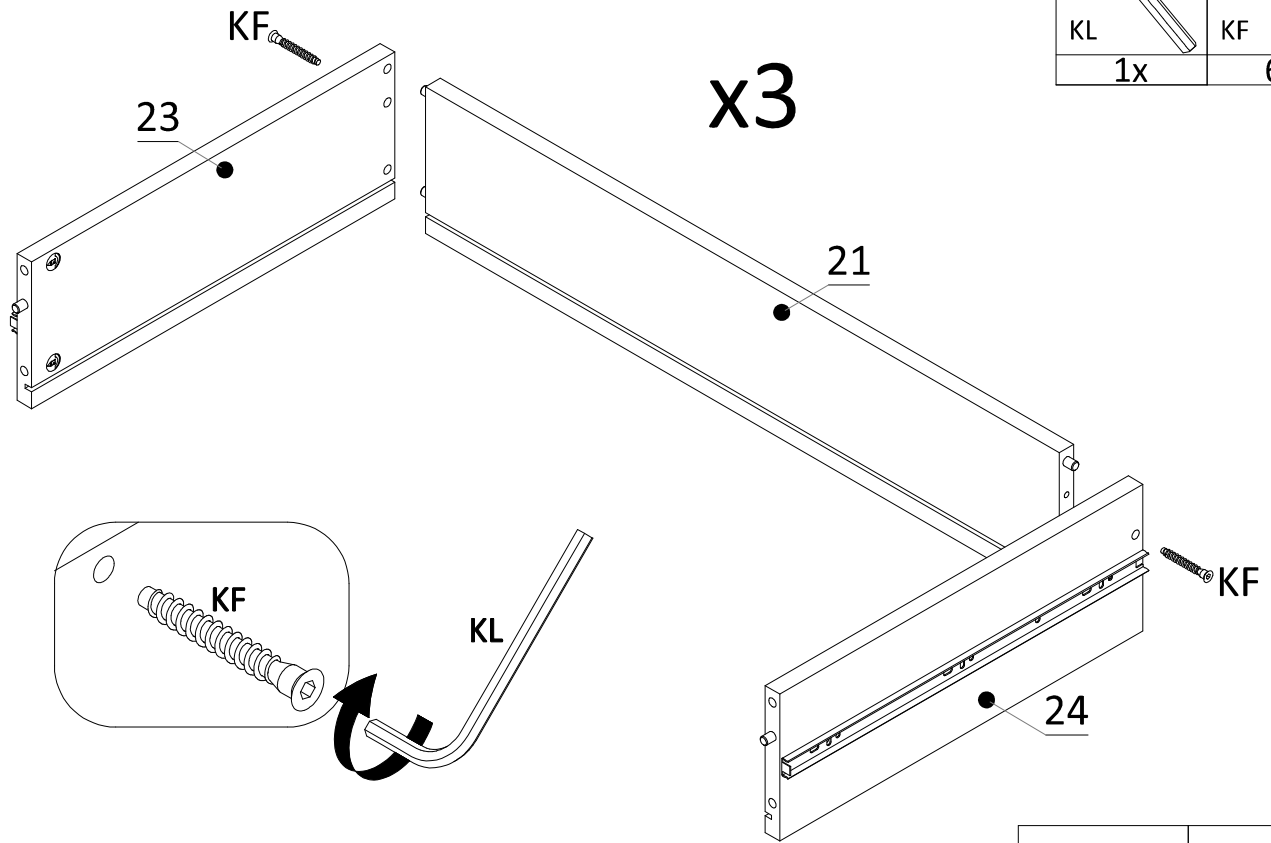


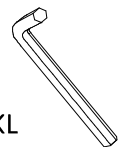
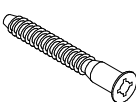
29

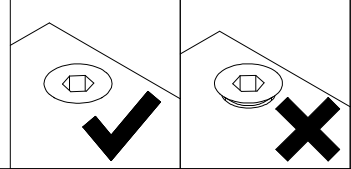
		
E1	M	K
12x	12x	6x
		
RL		
3x		



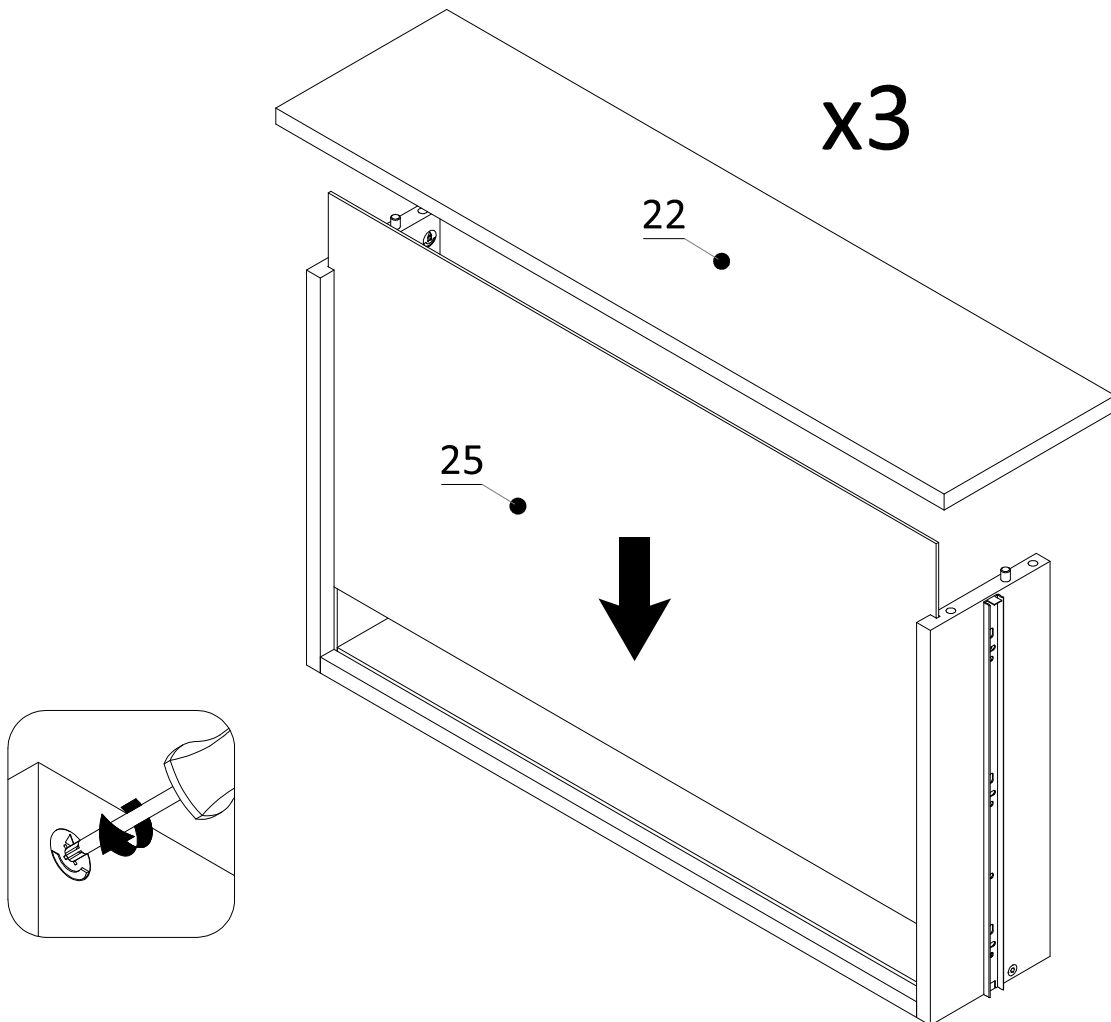
30



	
KL	KF
1x	6x

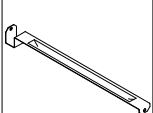



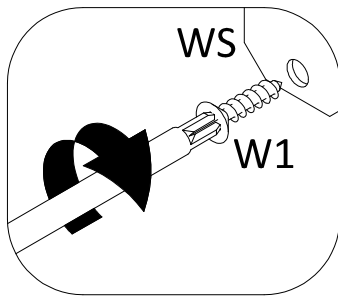
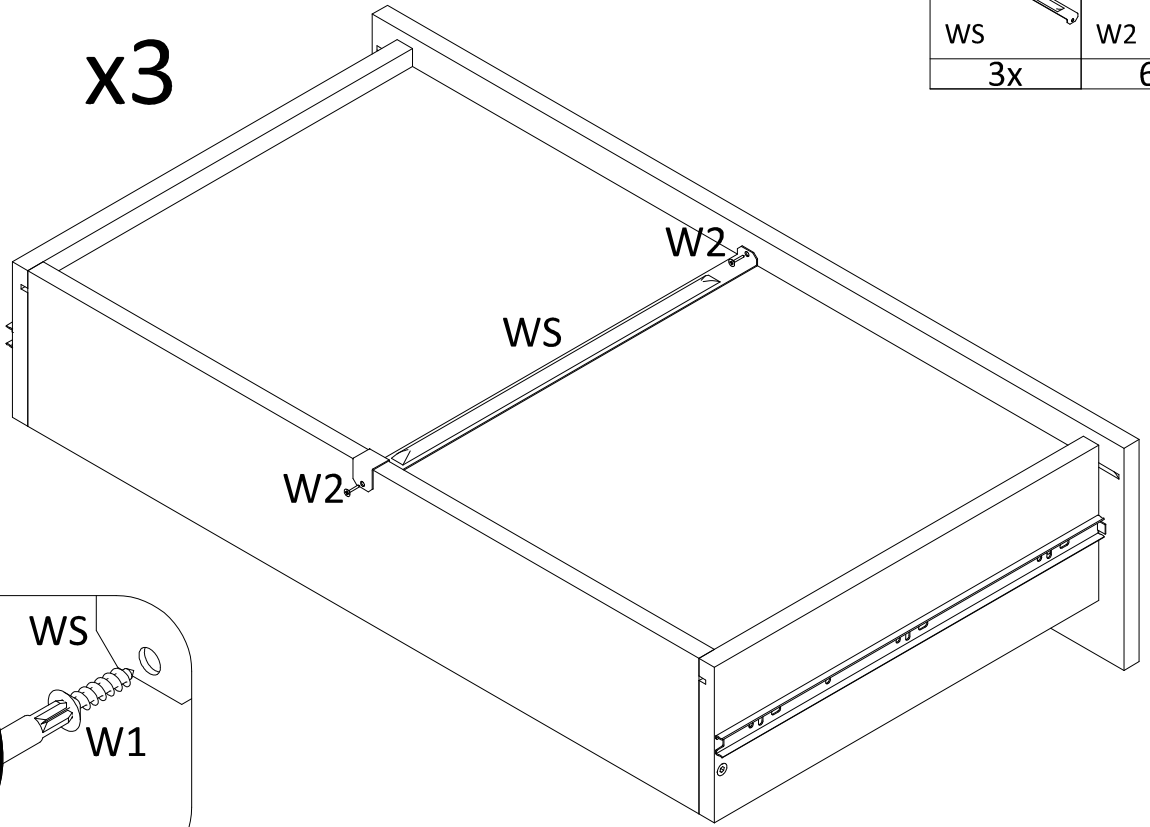
31



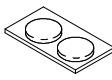



32

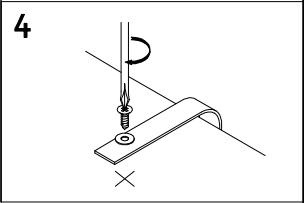
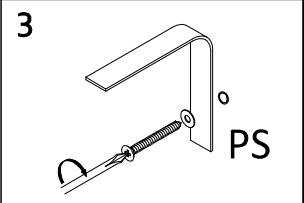
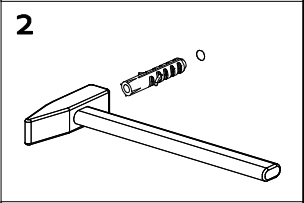
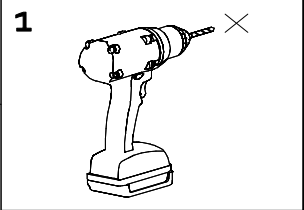
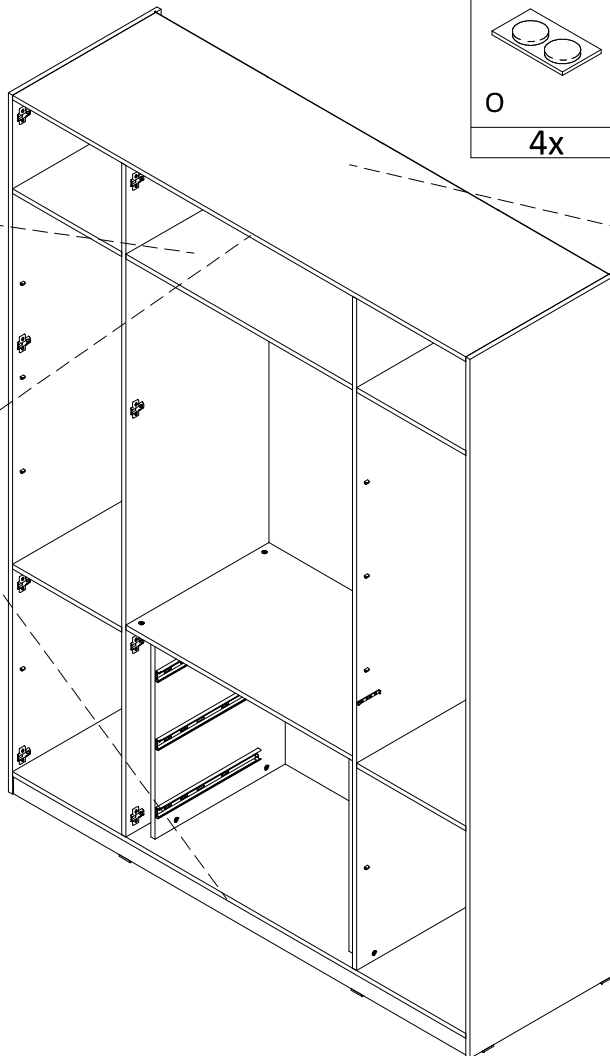
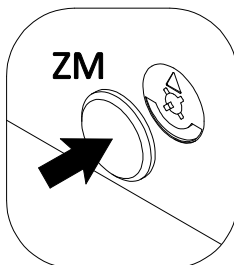
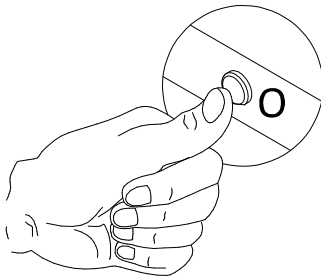
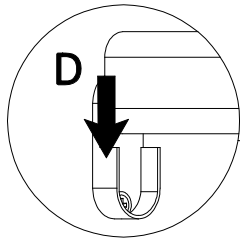
x3

	
WS	W2
3x	6x

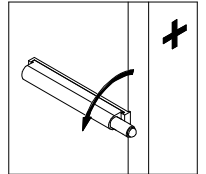
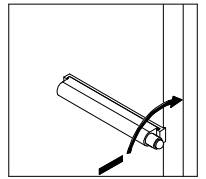
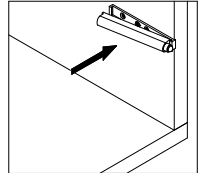
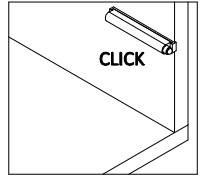
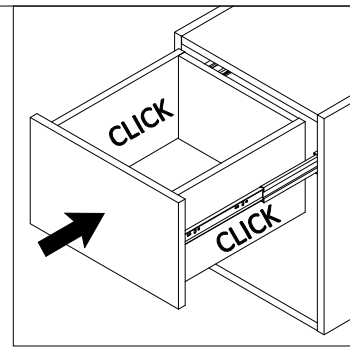
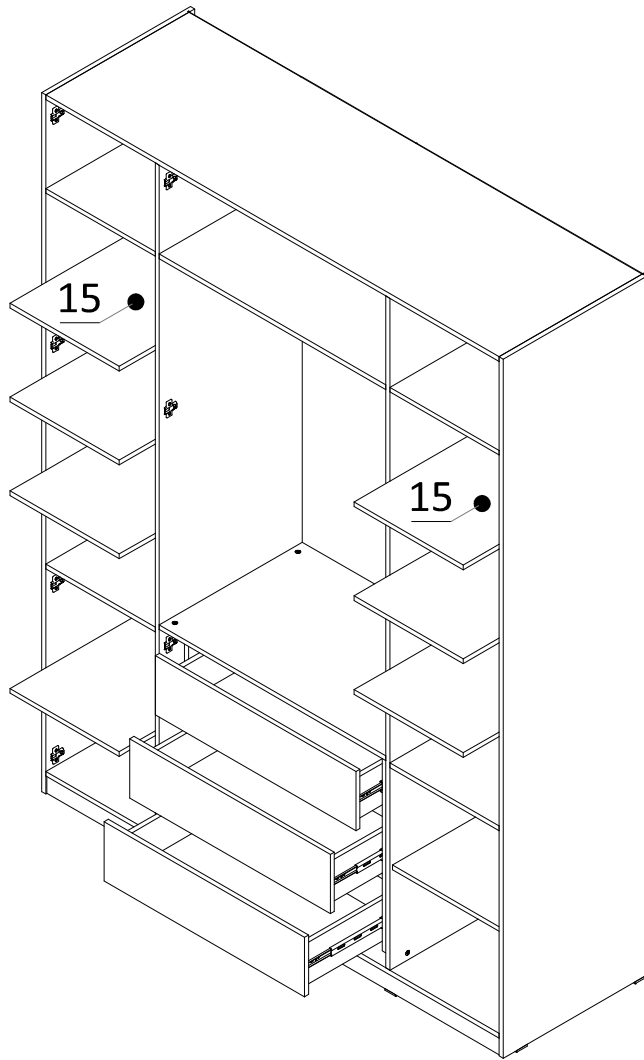
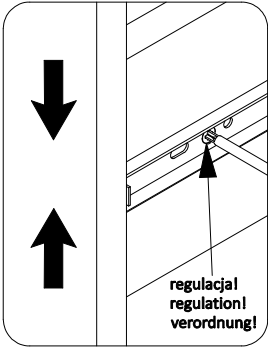


33

			
O	ZM	D	PS
4x	60x	1x	1x



34



35

